

TMS320UC5405 Fixed-Point Digital Signal Processor

Data Manual

Literature Number: SPRS199C
October 2002 – Revised October 2008

PRODUCTION DATA information is current as of publication date. Products conform to specifications per the terms of Texas Instruments standard warranty. Production processing does not necessarily include testing of all parameters.



REVISION HISTORY

This data sheet revision history highlights the technical changes made to the SPRS199B device-specific data sheet to make it an SPRS199C revision.

Scope: This document has been reviewed for technical accuracy; the technical content is up-to-date as of the specified release date with the following changes.

PAGE(S) NO.	ADDITIONS/CHANGES/DELETIONS
15	Table 2-2, Signal Descriptions: – Updated DESCRIPTION of $\overline{\text{TRST}}$ – Added footnote about $\overline{\text{TRST}}$
74	Section 7, Mechanical Data: – Added “Package Thermal Resistance Characteristics” section title – Added “Packaging Information” section title

This page intentionally left blank

Contents

<i>Section</i>	<i>Page</i>
1 TMS320UC5405 Features	11
2 Introduction	12
2.1 Description	12
2.2 Pin Assignments	12
2.3 Terminal Assignments for the GQW and ZQW Packages	13
2.4 Signal Descriptions	15
3 Functional Overview	19
3.1 Memory	19
3.1.1 On-Chip Dual-Access RAM (DARAM)	19
3.1.2 On-Chip ROM With Bootloader	20
3.1.3 Memory Map	21
3.1.4 Implications of 6-Bit Addressing	21
3.1.5 Relocatable Interrupt Vector Table	22
3.2 On-Chip Peripherals	23
3.2.1 Software-Programmable Wait-State Generator	23
3.2.2 Parallel I/O Ports	26
3.2.3 Hardware Timer	28
3.2.4 Clock Generator	28
3.2.5 DMA Controller	30
3.3 Memory-Mapped Registers	33
3.3.1 CPU Memory-Mapped Registers	33
3.3.2 Peripheral Memory-Mapped Registers	34
3.3.3 McBSP Control Registers and Subaddresses	35
3.3.4 DMA Subbank Addressed Registers	35
3.4 Interrupts	37
3.4.1 IFR and IMR Registers	38
4 Device Support	39
4.1 Device and Development-Support Tool Nomenclature	39
5 Documentation Support	41
6 Electrical Specifications	42
6.1 Absolute Maximum Ratings	42
6.2 Recommended Operating Conditions	42
6.3 Electrical Characteristics Over Recommended Operating Case Temperature Range (Unless Otherwise Noted)	43
6.4 Timing Parameter Symbology	44
6.5 Clock Options	45
6.5.1 Internal Oscillator With External Crystal	45
6.5.2 Divide-By-Two Clock Option (PLL disabled)	46
6.5.3 Multiply-By-N Clock Option (PLL Enabled)	47

Section	Page
6.6	Memory and Parallel I/O Interface Timing 48
6.6.1	Memory Read 48
6.6.2	Memory Write 50
6.6.3	I/O Read 52
6.6.4	I/O Write 53
6.7	Ready Timing for Externally Generated Wait States 54
6.8	$\overline{\text{HOLD}}$ and $\overline{\text{HOLDA}}$ Timings 57
6.9	Reset, $\overline{\text{BIO}}$, Interrupt, and $\overline{\text{MP/MC}}$ Timings 58
6.10	Interrupt Acknowledge ($\overline{\text{IACK}}$) Timings 60
6.11	External Flag (XF) and TOUT Timings 61
6.12	Multichannel Buffered Serial Port (McBSP) Timing 62
6.12.1	McBSP Transmit and Receive Timings 62
6.12.2	McBSP General-Purpose I/O Timing 65
6.12.3	McBSP as SPI Master or Slave Timing 66
6.13	Host-Port Interface Timing (HPI8) 70
7	Mechanical Data 74
7.1	Package Thermal Resistance Characteristics 74
7.2	Packaging Information 74

List of Figures

<i>Figure</i>		<i>Page</i>
2-1	143-Terminal GQW and ZQW Ball Grid Array (Bottom View)	13
3-1	Block Diagram of the TMS320UC5405	19
3-2	TMS320UC5405 Memory Map	21
3-3	TMS320UC5405 External Memory Paging Scheme	22
3-4	Processor Mode Status (PMST) Register	22
3-5	Software Wait-State Register (SWWSR) [Memory-Mapped Register (MMR) Address 0028h] ...	23
3-6	Software Wait-State Control Register (SWCR) [MMR Address 002Bh]	24
3-7	Bank-Switching Control Register (BSCR) [MMR Address 0029h]	25
3-8	HPI8 Memory Map	26
3-9	DMA Memory Map	30
3-10	IFR and IMR Registers	38
4-1	TMS320UC5405 DSP Device Nomenclature	40
6-1	1.8-V Test Load Circuit	43
6-2	Internal Oscillator With External Crystal	45
6-3	External Divide-by-Two Clock Timing	46
6-4	External Multiply-by-One Clock Timing	47
6-5	Memory Read	49
6-6	Memory Write	51
6-7	Parallel I/O Port Read	52
6-8	Parallel I/O Port Write	53
6-9	Memory Read With Externally Generated Wait States	54
6-10	Memory Write With Externally Generated Wait States	55
6-11	I/O Read With Externally Generated Wait States	55
6-12	I/O Write With Externally Generated Wait States	56
6-13	$\overline{\text{HOLD}}$ and $\overline{\text{HOLDA}}$ Timings (HM = 1)	57
6-14	Reset and $\overline{\text{BIO}}$ Timings	58
6-15	Interrupt Timing	59
6-16	MP/ $\overline{\text{MC}}$ Timing	59
6-17	$\overline{\text{IACK}}$ Timings	60
6-18	XF Timing	61
6-19	TOUT Timing	61
6-20	McBSP Receive Timings	64
6-21	McBSP Transmit Timings	64
6-22	McBSP General-Purpose I/O Timings	65
6-23	McBSP Timing as SPI Master or Slave: CLKSTP = 10b, CLKXP = 0	66
6-24	McBSP Timing as SPI Master or Slave: CLKSTP = 11b, CLKXP = 0	67

Figure	Page
6-25 McBSP Timing as SPI Master or Slave: CLKSTP = 10b, CLKXP = 1	68
6-26 McBSP Timing as SPI Master or Slave: CLKSTP = 11b, CLKXP = 1	69
6-27 Using $\overline{\text{HDS}}$ to Control Accesses ($\overline{\text{HCS}}$ Always Low)	72
6-28 Using $\overline{\text{HCS}}$ to Control Accesses	73
6-29 $\overline{\text{HINT}}$ Timing	73
6-30 GPIOx Timings	73

List of Tables

<i>Table</i>		<i>Page</i>
2-1	Terminal Assignments (143-Terminal GQW and ZQW Packages)	14
2-2	Signal Descriptions	15
3-1	Standard On-Chip ROM Layout	20
3-2	Software Wait-State Register (SWWSR) Bit Fields	24
3-3	Software Wait-State Control Register (SWCR) Bit Fields	24
3-4	Bank-Switching Control Register (BSCR) Bit Fields	25
3-5	Clock Mode Settings at Reset	29
3-6	DMA Interrupts	32
3-7	DMA Synchronization Events	32
3-8	DMA Channel Interrupt Selection	32
3-9	CPU Memory-Mapped Registers	33
3-10	Peripheral Memory-Mapped Registers	34
3-11	McBSP Control Registers and Subaddresses	35
3-12	DMA Subbank Addressed Registers	36
3-13	Interrupt Locations and Priorities	37
3-14	IFR and IMR Register Bit Fields	38
6-1	Divide-By-2 and Divide-by-4 Clock Options Timing Requirements	46
6-2	Divide-By-2 and Divide-by-4 Clock Options Switching Characteristics	46
6-3	Multiply-By-N Clock Option Timing Requirements	47
6-4	Multiply-By-N Clock Option Switching Characteristics	47
6-5	Memory Read Timing Requirements	48
6-6	Memory Read Switching Characteristics	48
6-7	Memory Write Switching Characteristics	50
6-8	I/O Read Timing Requirements	52
6-9	I/O Read Switching Characteristics	52
6-10	I/O Write Switching Characteristics	53
6-11	Ready Timing Requirements for Externally Generated Wait States	54
6-12	$\overline{\text{HOLD}}$ and $\overline{\text{HOLDA}}$ Timing Requirements	57
6-13	$\overline{\text{HOLD}}$ and $\overline{\text{HOLDA}}$ Switching Characteristics	57
6-14	Reset, $\overline{\text{BIO}}$, Interrupt, and $\overline{\text{MP/MC}}$ Timing Requirements	58
6-15	Interrupt Acknowledge ($\overline{\text{IACK}}$) Switching Characteristics	60
6-16	External Flag (XF) and TOUT Switching Characteristics	61
6-17	McBSP Transmit and Receive Timing Requirements	62
6-18	McBSP Transmit and Receive Switching Characteristics	63
6-19	McBSP General-Purpose I/O Timing Requirements	65
6-20	McBSP General-Purpose I/O Switching Characteristics	65
6-21	McBSP as SPI Master or Slave Timing Requirements (CLKSTP = 10b, CLKXP = 0)	66
6-22	McBSP as SPI Master or Slave Switching Characteristics (CLKSTP = 10b, CLKXP = 0)	66
6-23	McBSP as SPI Master or Slave Timing Requirements (CLKSTP = 11b, CLKXP = 0)	67
6-24	McBSP as SPI Master or Slave Switching Characteristics (CLKSTP = 11b, CLKXP = 0)	67
6-25	McBSP as SPI Master or Slave Timing Requirements (CLKSTP = 10b, CLKXP = 1)	68
6-26	McBSP as SPI Master or Slave Switching Characteristics (CLKSTP = 10b, CLKXP = 1)	68
6-27	McBSP as SPI Master or Slave Timing Requirements (CLKSTP = 11b, CLKXP = 1)	69
6-28	McBSP as SPI Master or Slave Switching Characteristics (CLKSTP = 11b, CLKXP = 1)	69

Tables

<i>Table</i>		<i>Page</i>
6-29	HPI8 Mode Timing Requirements	70
6-30	HPI8 Mode Switching Characteristics	71
7-1	Thermal Resistance Characteristics for GQW	74
7-2	Thermal Resistance Characteristics for ZQW	74

1 TMS320UC5405 Features

- **Advanced Multibus Architecture With Three Separate 16-Bit Data Memory Buses and One Program Memory Bus**
- **40-Bit Arithmetic Logic Unit (ALU), Including a 40-Bit Barrel Shifter and Two Independent 40-Bit Accumulators**
- **17- × 17-Bit Parallel Multiplier Coupled to a 40-Bit Dedicated Adder for Non-Pipelined Single-Cycle Multiply/Accumulate (MAC) Operation**
- **Compare, Select, and Store Unit (CSSU) for the Add/Compare Selection of the Viterbi Operator**
- **Exponent Encoder to Compute an Exponent Value of a 40-Bit Accumulator Value in a Single Cycle**
- **Two Address Generators With Eight Auxiliary Registers and Two Auxiliary Register Arithmetic Units (ARAUs)**
- **Simplified External Memory Interface (6-Bit Address Available, A0–A5)**
- **Data Bus With a Bus-Holder Feature**
- **4K x 16-Bit On-Chip ROM**
- **16K x 16-Bit On-Chip Dual-Access RAM (DARAM)**
- **Single-Instruction-Repeat and Block-Repeat Operations for Program Code**
- **Block-Memory-Move Instructions for Efficient Program and Data Management**
- **Instructions With a 32-Bit-Long Word Operand**
- **Instructions With Two- or Three-Operand Reads**
- **Arithmetic Instructions With Parallel Store and Parallel Load**
- **Conditional Store Instructions**
- **Fast Return From Interrupt**
- **On-Chip Peripherals**
 - **Software-Programmable Wait-State Generator and Programmable Bank Switching**
 - **On-Chip Phase-Locked Loop (PLL) Clock Generator With Internal Oscillator or External Clock Source**
 - **Two Multichannel Buffered Serial Ports (McBSPs)**
 - **Enhanced 8-Bit Parallel Host-Port Interface (HPI8)**
 - **Two 16-Bit Timers**
 - **Six-Channel Direct Memory Access (DMA) Controller**
- **Power Consumption Control With IDLE1, IDLE2, and IDLE3 Instructions With Power-Down Modes**
- **CLKOUT Off Control to Disable CLKOUT**
- **On-Chip Scan-Based Emulation Logic, IEEE Std 1149.1† (JTAG) Boundary Scan Logic**
- **12.5-ns Single-Cycle Fixed-Point Instruction Execution Time (80 MIPS)**
- **1.8-V Core Power Supply**
- **1.8-V to 3.6-V I/O Power Supply Enables Operation With a Single 1.8-V Supply or With Dual Supplies**
- **Available in a 143-Ball MicroStar Junior™ Ball Grid Array (BGA) (GQW/ZQW Suffixes)**

MicroStar Junior is a trademark of Texas Instruments.

All trademarks are the property of their respective owners.

† IEEE Standard 1149.1-1990 Standard-Test-Access Port and Boundary Scan Architecture.

2 Introduction

This section describes the main features of the TMS320UC5405, lists the pin assignments, and describes the function of each pin. This data manual also provides a detailed description section, electrical specifications, parameter measurement information, and mechanical data about the available packaging.

NOTE: This data manual is designed to be used in conjunction with the *TMS320C54x™ DSP Functional Overview* (literature number SPRU307).

2.1 Description

The TMS320UC5405 fixed-point, digital signal processor (DSP) (hereafter referred to as the UC5405 unless otherwise specified) is ideal for low-power, high-performance applications. This processor offers very low power consumption and the flexibility to support various system voltage configurations. The wide range of I/O voltage enables it to operate with a single 1.8-V power supply or with dual power supplies for mixed-voltage systems. This feature eliminates the need for external level-shifting and reduces power consumption in emerging sub-3V systems.

The TMS320UC5405 is essentially similar to a TMS320UC5402 DSP. The main differences are listed below:

- Simplified external memory interface. There are six address lines (A0–A5) and 16 data lines (D0–D15) available.
- $\overline{M\overline{S}C}$ and $\overline{I\overline{A}Q}$ signals are not available.
- Significantly reduced package size.

Texas Instrument (TI) DSPs do not require specific power sequencing between the core supply and the I/O supply. However, systems should be designed to ensure that neither supply is powered up for extended periods of time if the other supply is below the proper operating voltage. Excessive exposure to these conditions can adversely affect the long-term reliability of the device.

System-level concerns such as bus contention may require supply sequencing to be implemented. In this case, the core supply should be powered up at the same time as, or prior to, the I/O buffers and powered down after the I/O buffers.

The UC5405 is based on an advanced modified Harvard architecture that has one program memory bus and three data memory buses. This processor provides an arithmetic logic unit (ALU) with a high degree of parallelism, application-specific hardware logic, on-chip memory, and additional on-chip peripherals. The basis of the operational flexibility and speed of this DSP is a highly specialized instruction set.

2.2 Pin Assignments

Figure 2–1 illustrates the ball locations for the 143-terminal GQW and ZQW ball grid array (BGA) packages and is used in conjunction with Table 2–1 to locate signal names and ball grid numbers. DV_{DD} is the power supply for the I/O pins while CV_{DD} is the power supply for the core CPU. V_{SS} is the ground for both the I/O pins and the core CPU.

2.3 Terminal Assignments for the GQW and ZQW Packages

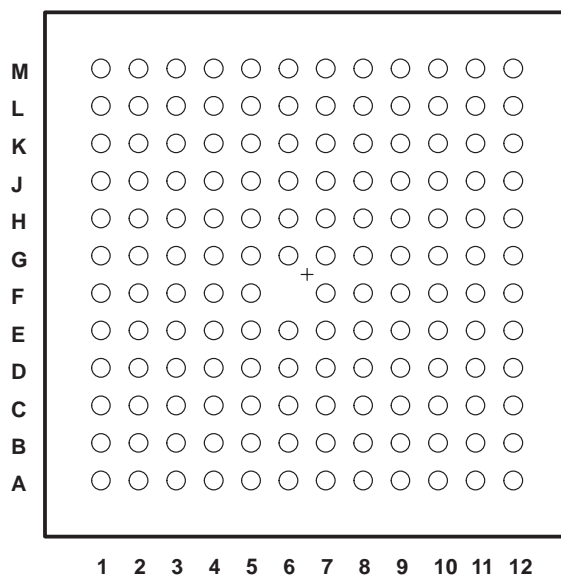


Figure 2-1. 143-Terminal GQW and ZQW Ball Grid Array (Bottom View)

Table 2–1. Terminal Assignments (143-Terminal GQW and ZQW Packages)†

BGA BALL #	SIGNAL NAME	BGA BALL #	SIGNAL NAME	BGA BALL #	SIGNAL NAME	BGA BALL #	SIGNAL NAME
A1	V _{SS}	D1	BDR1	G1	DV _{DD}	K1	$\overline{\text{INT1}}$
A2	V _{SS}	D2	BFSR1	G2	V _{SS}	K2	$\overline{\text{INT0}}$
A3	MP/MC	D3	BFSR0	G3	HRDY	K3	$\overline{\text{INT3}}$
A4	$\overline{\text{HOLDA}}$	D4	NC	G4	NC	K4	EMU0
A5	$\overline{\text{IOSTRB}}$	D5	NC	G5	NC	K5	TDI
A6	$\overline{\text{IS}}$	D6	NC	G6	NC	K6	TMS
A7	READY	D7	NC	G7	NC	K7	CV _{DD}
A8	CV _{DD}	D8	NC	G8	NC	K8	X1
A9	V _{SS}	D9	NC	G9	NC	K9	D0
A10	HD7	D10	A1	G10	D14	K10	D3
A11	V _{SS}	D11	DV _{DD}	G11	HD4	K11	DV _{DD}
A12	CV _{DD}	D12	A0	G12	D13	K12	D6
B1	BCLKR1	E1	V _{SS}	H1	BDX0	L1	CV _{DD}
B2	HCNTL0	E2	BCLKX1	H2	HD0	L2	HD1
B3	$\overline{\text{BIO}}$	E3	$\overline{\text{HINT/TOUT1}}$	H3	BDX1	L3	CLKMD2
B4	XF	E4	HCNTL1	H4	$\overline{\text{INT2}}$	L4	HD2
B5	$\overline{\text{MSTRB}}$	E5	NC	H5	NC	L5	EMU1/OFF
B6	$\overline{\text{DS}}$	E6	NC	H6	NC	L6	$\overline{\text{TRST}}$
B7	HR/W	E7	NC	H7	NC	L7	V _{SS}
B8	NC	E8	NC	H8	NC	L8	CLKOUT
B9	$\overline{\text{HAS}}$	E9	NC	H9	NC	L9	X2/CLKIN‡
B10	DV _{DD}	E10	$\overline{\text{HDS2}}$	H10	D12	L10	D1
B11	A5	E11	$\overline{\text{HDS1}}$	H11	D10	L11	D5
B12	A4	E12	V _{SS}	H12	D11	L12	V _{SS}
C1	BDR0	F1	BFSX0	J1	HBIL	M1	V _{SS}
C2	BCLKR0	F2	CV _{DD}	J2	$\overline{\text{IACK}}$	M2	V _{SS}
C3	DV _{DD}	F3	BFSX1	J3	$\overline{\text{NMI}}$	M3	CLKMD3
C4	$\overline{\text{HOLD}}$	F4	BCLKX0	J4	DV _{DD}	M4	TOUT0
C5	NC	F5	NC	J5	CLKMD1	M5	TDO
C6	R/W	F6	NC	J6	NC	M6	TCK
C7	$\overline{\text{PS}}$	F7	NC	J7	NC	M7	HPIENA
C8	$\overline{\text{HCS}}$	F8	NC	J8	NC	M8	HD3
C9	NC	F9	NC	J9	NC	M9	$\overline{\text{RS}}$
C10	HD6	F10	D15	J10	D9	M10	D2
C11	A2	F11	CV _{DD}	J11	D7	M11	D4
C12	A3	F12	HD5	J12	D8	M12	V _{SS}

† DV_{DD} is the power supply for the I/O pins while CV_{DD} is the power supply for the core CPU. V_{SS} is the ground for both the I/O pins and the core CPU.

‡ If an external clock source is used, the CLKIN signal level should not exceed CV_{DD} + 0.3 V.

NOTE: NC = No connection

2.4 Signal Descriptions

Table 2–2 lists each signal, function, and operating mode(s) grouped by function. See Section 2.2 for exact pin locations based on package type.

Table 2–2. Signal Descriptions

TERMINAL NAME	TYPE†	DESCRIPTION
DATA SIGNALS		
A5 (MSB) A4 A3 A2 A1 A0 (LSB)	O/Z	Parallel address bus A5 [most significant bit (MSB)] through A0 [least significant bit (LSB)]. These pins are placed in the high-impedance state when the hold mode is enabled, or when EMU1/OFF is low.
D15 (MSB) D14 D13 D12 D11 D10 D9 D8 D7 D6 D5 D4 D3 D2 D1 D0 (LSB)	I/O/Z	Parallel data bus D15 (MSB) through D0 (LSB). The sixteen data pins (D0 to D15) are multiplexed to transfer data between the core CPU and external data/program memory or I/O devices. The data bus is placed in the high-impedance state when not outputting or when \overline{RS} or HOLD is asserted. The data bus also goes into the high-impedance state when EMU1/OFF is low. The data bus has bus holders to reduce the static power dissipation caused by floating, unused pins. These bus holders also eliminate the need for external bias resistors on unused pins. When the data bus is not being driven by the UC5405, the bus holders keep the pins at the previous logic level. The data bus holders on the UC5405 are disabled at reset and can be enabled/disabled via the BH bit of the bank-switching control register (BSCR).
INITIALIZATION, INTERRUPT, AND RESET OPERATIONS		
\overline{IACK}	O/Z	Interrupt acknowledge signal. \overline{IACK} indicates receipt of an interrupt and that the program counter is fetching the interrupt vector location designated by A5–A0. \overline{IACK} also goes into the high-impedance state when EMU1/OFF is low.
$\overline{INT0}$ $\overline{INT1}$ $\overline{INT2}$ $\overline{INT3}$	I	External user interrupts. $\overline{INT0}$ – $\overline{INT3}$ are prioritized and are maskable by the interrupt mask register (IMR) and the interrupt mode bit. $\overline{INT0}$ – $\overline{INT3}$ can be polled and reset by way of the interrupt flag register (IFR).
\overline{NMI}	I	Nonmaskable interrupt. \overline{NMI} is an external interrupt that cannot be masked by way of the INTM bit (in the ST1 register) or the IMR. When \overline{NMI} is activated, the processor traps to the appropriate vector location.
\overline{RS}	I	Reset. \overline{RS} causes the digital signal processor (DSP) to terminate execution and causes a reinitialization of the CPU and peripherals. When \overline{RS} is brought to a high level, execution begins at location 0FF80h of program memory. \overline{RS} affects various registers and status bits.
MP/ \overline{MC}	I	Microprocessor/microcomputer mode select. If active (low) at reset, microcomputer mode is selected, and the internal program ROM is mapped into the upper 4K words of program memory space. If the pin is driven high during reset, microprocessor mode is selected, and the on-chip ROM is removed from program space. This pin is only sampled at reset, and the MP/ \overline{MC} bit of the processor mode status (PMST) register can override the mode that is selected at reset.

† I = input, O = output, Z = high impedance, S = supply

‡ If an external clock source is used, the CLKIN signal level should not exceed $CV_{DD} + 0.3$ V.

§ Although this pin includes an internal pulldown resistor, a 470- Ω external pulldown is required. If the \overline{TRST} pin is connected to multiple DSPs, a buffer is recommended to ensure the V_{IL} and V_{IH} specifications are met.

Table 2–2. Signal Descriptions (Continued)

TERMINAL NAME	TYPE†	DESCRIPTION
MULTIPROCESSING SIGNALS		
$\overline{\text{BIO}}$	I	Branch control. A branch can be conditionally executed when $\overline{\text{BIO}}$ is active. If low, the processor executes the conditional instruction. For the XC instruction, the $\overline{\text{BIO}}$ condition is sampled during the decode phase of the pipeline; all other instructions sample $\overline{\text{BIO}}$ during the read phase of the pipeline.
XF	O/Z	External flag output (latched software-programmable signal). XF is set high by the SSBX XF instruction, set low by the RSBX XF instruction or by loading ST1. XF is used for signaling other processors in multiprocessor configurations or used as a general-purpose output pin. XF goes into the high-impedance state when EMU1/OFF is low, and is set high at reset.
MEMORY CONTROL SIGNALS		
$\overline{\text{DS}}$ $\overline{\text{PS}}$ $\overline{\text{IS}}$	O/Z	Data, program, and I/O space select signals. $\overline{\text{DS}}$, $\overline{\text{PS}}$, and $\overline{\text{IS}}$ are always high unless driven low for accessing a particular external memory space. Active period corresponds to valid address information. $\overline{\text{DS}}$, $\overline{\text{PS}}$, and $\overline{\text{IS}}$ are placed in the high-impedance state in the hold mode; the signals also go into the high-impedance state when EMU1/OFF is low.
$\overline{\text{MSTRB}}$	O/Z	Memory strobe signal. $\overline{\text{MSTRB}}$ is always high unless low-level asserted to indicate an external bus access to data or program memory. $\overline{\text{MSTRB}}$ is placed in the high-impedance state in the hold mode; it also goes into the high-impedance state when EMU1/OFF is low.
READY	I	Data ready. READY indicates that an external device is prepared for a bus transaction to be completed. If the device is not ready (READY is low), the processor waits one cycle and checks READY again. Note that the processor performs ready detection if at least two software wait states are programmed. The READY signal is not sampled until the completion of the software wait states.
$\overline{\text{R/W}}$	O/Z	Read/write signal. $\overline{\text{R/W}}$ indicates transfer direction during communication to an external device. $\overline{\text{R/W}}$ is normally in the read mode (high), unless it is asserted low when the DSP performs a write operation. $\overline{\text{R/W}}$ is placed in the high-impedance state in hold mode; it also goes into the high-impedance state when EMU1/OFF is low.
$\overline{\text{IOSTRB}}$	O/Z	I/O strobe signal. $\overline{\text{IOSTRB}}$ is always high unless low-level asserted to indicate an external bus access to an I/O device. $\overline{\text{IOSTRB}}$ is placed in the high-impedance state in the hold mode; it also goes into the high-impedance state when EMU1/OFF is low.
$\overline{\text{HOLD}}$	I	Hold. $\overline{\text{HOLD}}$ is asserted to request control of the address, data, and control lines. When acknowledged by the C54x™, these lines go into the high-impedance state.
$\overline{\text{HOLDA}}$	O/Z	Hold acknowledge. $\overline{\text{HOLDA}}$ indicates that the UC5405 is in a hold state and that the address, data, and control lines are in the high-impedance state, allowing the external memory interface to be accessed by other devices. $\overline{\text{HOLDA}}$ also goes into the high-impedance state when EMU1/OFF is low.
PLL/TIMER SIGNALS		
CLKOUT	O/Z	Master clock output signal. CLKOUT cycles at the machine-cycle rate of the CPU. The internal machine cycle is bounded by the rising edges of this signal. CLKOUT also goes into the high-impedance state when EMU1/OFF is low.
CLKMD1 CLKMD2 CLKMD3	I	Clock mode-select signals. These inputs select the mode that the clock generator is initialized to after reset. The logic levels of CLKMD1–CLKMD3 are latched when the reset pin is low, and the clock mode register is initialized to the selected mode. After reset, the clock mode can be changed through software, but the clock mode-select signals have no effect until the device is reset again.
X2/CLKIN‡	I	Clock/PLL input. If the internal oscillator is not being used, X2/CLKIN functions as the clock input.
X1	O	Output pin from the internal oscillator for the crystal. If the internal oscillator is not used, X1 should be left unconnected. X1 does not go into the high-impedance state when EMU1/OFF is low.
TOUT0	O/Z	Timer0 output. TOUT0 signals a pulse when the on-chip timer 0 counts down past zero. The pulse is a CLKOUT cycle wide. TOUT0 also goes into the high-impedance state when EMU1/OFF is low.
$\overline{\text{HINT}}$ /TOUT1	O/Z	Timer1 output. TOUT1 signals a pulse when the on-chip timer 1 counts down past zero. The pulse is one CLKOUT cycle wide. The TOUT1 output is multiplexed with the $\overline{\text{HINT}}$ pin of the HPI and is only available when the HPI is disabled. TOUT1 also goes into the high-impedance state when EMU1/OFF is low.

† I = input, O = output, Z = high impedance, S = supply

‡ If an external clock source is used, the CLKIN signal level should not exceed $\text{CV}_{\text{DD}} + 0.3 \text{ V}$.

§ Although this pin includes an internal pulldown resistor, a 470- Ω external pulldown is required. If the $\overline{\text{TRST}}$ pin is connected to multiple DSPs, a buffer is recommended to ensure the V_{IL} and V_{IH} specifications are met.

C54x is a trademark of Texas Instruments.

Table 2–2. Signal Descriptions (Continued)

TERMINAL NAME	TYPE†	DESCRIPTION
MULTICHANNEL BUFFERED SERIAL PORT SIGNALS		
BCLKR0 BCLKR1	I/O/Z	Receive clock input. BCLKR serves as the serial shift clock for the buffered serial port receiver.
BDR0 BDR1	I	Serial data receive input
BFSR0 BFSR1	I/O/Z	Frame synchronization pulse for receive input. The BFSR pulse initiates the receive data process over BDR.
BCLKX0 BCLKX1	I/O/Z	Transmit clock. BCLKX serves as the serial shift clock for the McBSP transmitter. BCLKX can be configured as an input or an output; it is configured as an input following reset. BCLKX enters the high-impedance state when EMU1/OFF goes low.
BDX0 BDX1	O/Z	Serial data transmit output. BDX is placed in the high-impedance state when not transmitting, when \overline{RS} is asserted, or when EMU1/OFF is low.
BFSX0 BFSX1	I/O/Z	Frame synchronization pulse for transmit input/output. The BFSX pulse initiates the transmit data process. BFSX can be configured as an input or an output; it is configured as an input following reset. BFSX goes into the high-impedance state when EMU1/OFF is low.
HOST-PORT INTERFACE SIGNALS		
HD0–HD7	I/O/Z	Parallel bidirectional data bus. The HPI data bus is used by a host device bus to exchange information with the HPI registers. These pins can also be used as general-purpose I/O pins. HD0–HD7 is placed in the high-impedance state when not outputting data or when EMU1/OFF is low. The HPI data bus includes bus holders to reduce the static power dissipation caused by floating, unused pins. When the HPI data bus is not being driven by the UC5405, the bus holders keep the pins at the previous logic level. The HPI data bus holders are disabled at reset and can be enabled/disabled via the HBH bit of the BSCR.
HCNTL0 HCNTL1	I	Control. HCNTL0 and HCNTL1 select a host access to one of the three HPI registers. The control inputs have internal pullup resistors that are only enabled when HPIENA = 0.
HBIL	I	Byte identification. HBIL identifies the first or second byte of transfer. The HBIL input has an internal pullup resistor that is only enabled when HPIENA = 0.
\overline{HCS}	I	Chip select. \overline{HCS} is the select input for the HPI and must be driven low during accesses. The chip-select input has an internal pullup resistor that is only enabled when HPIENA = 0.
$\overline{HDS1}$ $\overline{HDS2}$	I	Data strobe. $\overline{HDS1}$ and $\overline{HDS2}$ are driven by the host read and write strobes to control transfers. The strobe inputs have internal pullup resistors that are only enabled when HPIENA = 0.
\overline{HAS}	I	Address strobe. Hosts with multiplexed address and data pins require \overline{HAS} to latch the address in the HPIA register. \overline{HAS} has an internal pullup resistor that is only enabled when HPIENA = 0.
HR/ \overline{W}	I	Read/write. HR/ \overline{W} controls the direction of an HPI transfer. HR/ \overline{W} has an internal pullup resistor that is only enabled when HPIENA = 0.
HRDY	O/Z	Ready. The ready output informs the host when the HPI is ready for the next transfer. HRDY goes into the high-impedance state when EMU1/OFF is low.
\overline{HINT} /TOUT1	O/Z	Interrupt. This output is used to interrupt the host. When the DSP is in reset, \overline{HINT} is driven high. \overline{HINT} can also be configured as the timer 1 output (TOUT1) when the HPI is disabled. The signal goes into the high-impedance state when EMU1/OFF is low.
HPIENA	I	HPI module select. HPIENA must be driven high during reset to enable the HPI. An internal pulldown resistor is always active and the HPIENA pin is sampled on the rising edge of \overline{RS} . If HPIENA is left open or is driven low during reset, the HPI module is disabled. Once the HPI is disabled, the HPIENA pin has no effect until the UC5405 is reset.

† I = input, O = output, Z = high impedance, S = supply

‡ If an external clock source is used, the CLKIN signal level should not exceed $CV_{DD} + 0.3$ V.

§ Although this pin includes an internal pulldown resistor, a 470- Ω external pulldown is required. If the \overline{TRST} pin is connected to multiple DSPs, a buffer is recommended to ensure the V_{IL} and V_{IH} specifications are met.

Table 2–2. Signal Descriptions (Continued)

TERMINAL NAME	TYPE†	DESCRIPTION
SUPPLY PINS		
CV _{DD}	S	+V _{DD} . Dedicated power supply for the core CPU
DV _{DD}	S	+V _{DD} . Dedicated power supply for the I/O pins
V _{SS}	S	Ground
MISCELLANEOUS SIGNAL		
NC		No connection
TEST PINS		
TCK	I	IEEE standard 1149.1 (JTAG) test clock. TCK is normally a free-running clock signal with a 50% duty cycle. The changes on the test access port (TAP) of input signals TMS and TDI are clocked into the TAP controller, instruction register, or selected test data register on the rising edge of TCK. Changes at the TAP output signal (TDO) occur on the falling edge of TCK.
TDI	I	IEEE standard 1149.1 test data input pin with internal pullup device. TDI is clocked into the selected register (instruction or data) on a rising edge of TCK.
TDO	O/Z	IEEE standard 1149.1 test data output. The contents of the selected register (instruction or data) are shifted out of TDO on the falling edge of TCK. TDO is in the high-impedance state except when the scanning of data is in progress. TDO also goes into the high-impedance state when EMU1/ <u>OFF</u> is low.
TMS	I	IEEE standard 1149.1 test mode select. Pin with internal pullup device. This serial control input is clocked into the TAP controller on the rising edge of TCK.
<u>TRST</u> §	I	IEEE standard 1149.1 test reset. <u>TRST</u> , when high, gives the IEEE standard 1149.1 scan system control of the operations of the device. If <u>TRST</u> is driven low, the device operates in its functional mode, and the IEEE standard 1149.1 signals are ignored. Pin with internal pulldown device.
EMU0	I/O/Z	Emulator 0 pin. When <u>TRST</u> is driven low, EMU0 must be high for activation of the <u>OFF</u> condition. When <u>TRST</u> is driven high, EMU0 is used as an interrupt to or from the emulator system and is defined as input/output by way of the IEEE standard 1149.1 scan system. EMU0 should be pulled up to DV _{DD} with a separate 4.7-kΩ resistor.
EMU1/ <u>OFF</u>	I/O/Z	Emulator 1 pin/disable all outputs. When <u>TRST</u> is driven high, EMU1/ <u>OFF</u> is used as an interrupt to or from the emulator system and is defined as input/output by way of the IEEE standard 1149.1 scan system. When <u>TRST</u> is driven low, EMU1/ <u>OFF</u> is configured as <u>OFF</u> . The EMU1/ <u>OFF</u> signal, when active (low), puts all output drivers into the high-impedance state. EMU1/ <u>OFF</u> should be pulled up to DV _{DD} with a separate 4.7-kΩ resistor. Note that <u>OFF</u> is used exclusively for testing and emulation purposes (not for multiprocessing applications). Therefore, for the <u>OFF</u> feature, the following apply: <u>TRST</u> = low EMU0 = high EMU1/ <u>OFF</u> = low

† I = input, O = output, Z = high impedance, S = supply

‡ If an external clock source is used, the CLKIN signal level should not exceed CV_{DD} + 0.3 V.

§ Although this pin includes an internal pulldown resistor, a 470-Ω external pulldown is required. If the TRST pin is connected to multiple DSPs, a buffer is recommended to ensure the V_{IL} and V_{IH} specifications are met.

3 Functional Overview

The following functional overview is based on the block diagram in Figure 3–1.

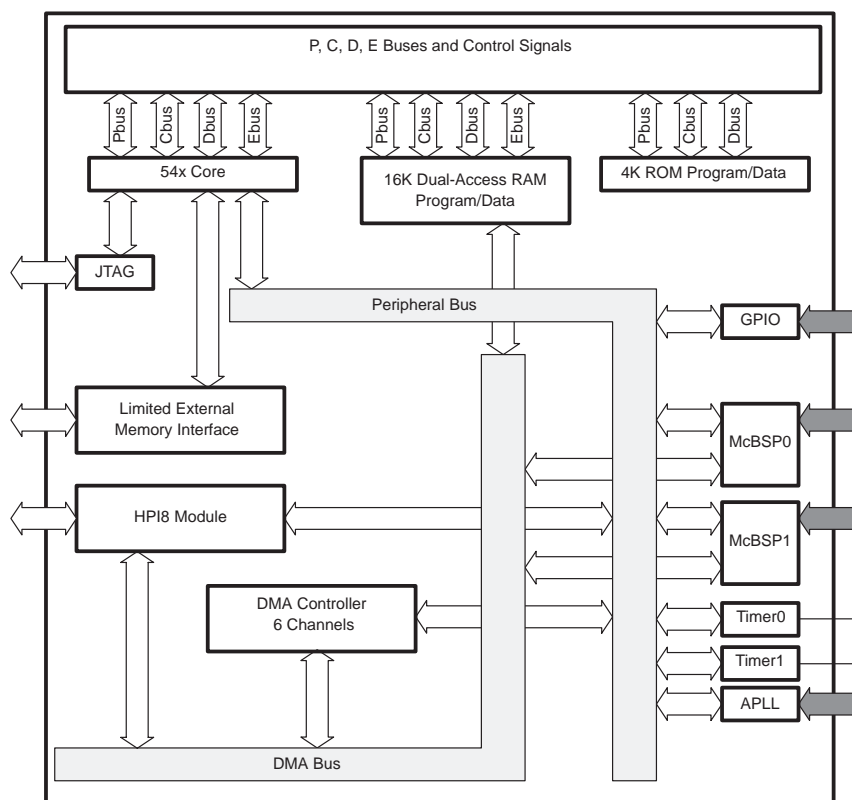


Figure 3–1. Block Diagram of the TMS320UC5405

3.1 Memory

The UC5405 device provides both on-chip ROM and RAM to aid in system performance and integration.

3.1.1 On-Chip Dual-Access RAM (DARAM)

The UC5405 device contains $16K \times 16$ -bit of on-chip dual-access RAM (DARAM). The DARAM is composed of two blocks of 8K words each. Each block in the DARAM can support two reads in one cycle, or a read and a write in one cycle. The DARAM is located in the address range 0080h–3FFFh in data space, and can be mapped into program/data space by setting the OVLY bit to 1.

3.1.2 On-Chip ROM With Bootloader

The UC5405 features 4K × 16-bit of on-chip maskable ROM. Customers can arrange to have the ROM of the UC5405 programmed with contents unique to any particular application. A security option is available to protect a custom ROM. This security option is described in the *TMS320C54x DSP Reference Set, Volume 1: CPU and Peripherals* (literature number SPRU131). Note that only the ROM security option, and not the ROM/RAM option, is available on the UC5405 .

A bootloader is available in the standard UC5405 on-chip ROM. This bootloader can be used to automatically transfer user code from an external source to anywhere in the program memory at power up. If the MP/MC pin is sampled low during a hardware reset, execution begins at location FF80h of the on-chip ROM. This location contains a branch instruction to the start of the bootloader program. The standard UC5405 bootloader provides different ways to download the code to accommodate various system requirements:

- Serial boot from serial ports 8-bit or 16-bit mode
- Host-port interface boot

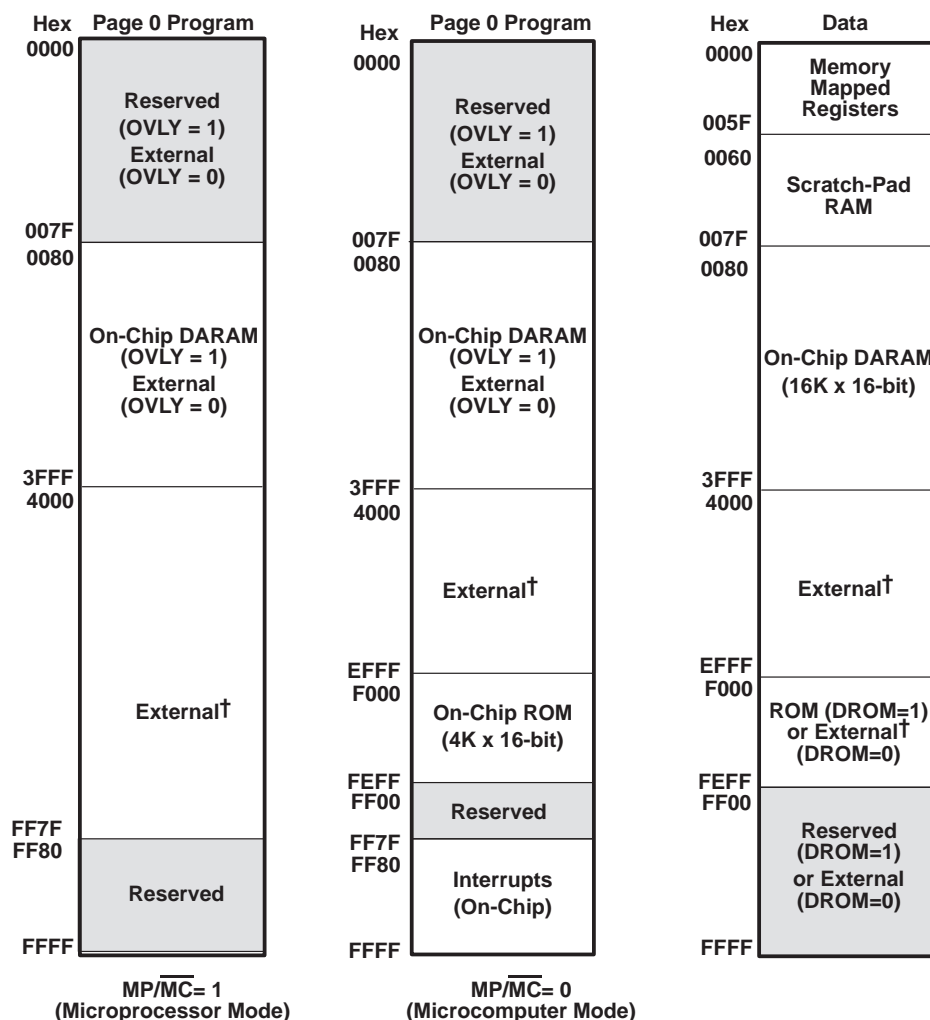
The standard on-chip ROM layout is shown in Table 3–1.

Table 3–1. Standard On-Chip ROM Layout†

ADDRESS RANGE	DESCRIPTION
F000h – F7FFh	Reserved
F800h – FBFFh	Bootloader
FC00h – FCFFh	μ-law expansion table
FD00h – FDFFh	A-law expansion table
FE00h – FEFFh	Sine look-up table
FF00h – FF7Fh	Reserved
FF80h – FFFFh	Interrupt vector table

† In the UC5405 ROM, 128 words are reserved for factory device-testing purposes. Application code to be implemented in on-chip ROM must reserve these 128 words at addresses FF00h–FF7Fh in program space.

3.1.3 Memory Map



† Only six of the 16 total TMS320UC5405 address bits are available to the external interface; therefore, only 64 unique external addresses are available, regardless of the actual 16-bit address generated internally. These 64 addresses are those resulting from the truncation of the upper address bits (A6 and above). This results in these 64 addresses being repeated throughout all of the external address space.

Figure 3–2. TMS320UC5405 Memory Map

3.1.4 Implications of 6-Bit Addressing

TMS320UC5405 provides only six of the 16 total address bits to the external interface. Therefore, only 64 unique external addresses are available, regardless of the actual 16-bit address generated internally. These 64 addresses are those resulting from the truncation of the upper address bits (A6 through A15). This results in these 64 addresses being repeated throughout all of the external address space.

If more than 64 external locations need to be addressed, a paging scheme can be used to expand the addressing capability as necessary. In this paging scheme, an external register is used to supply the upper addresses (A6 through A15) for the memory reach greater than six bits. The external register is loaded by having the 5405 write to a location in I/O space whose data lines are the higher address bits as shown in Figure 3–3. This scheme can be implemented using either a simple external latch, or can be included in a FPGA. This paging scheme can be implemented without any decoding required and shares the same bus with the SRAM and the DSP.

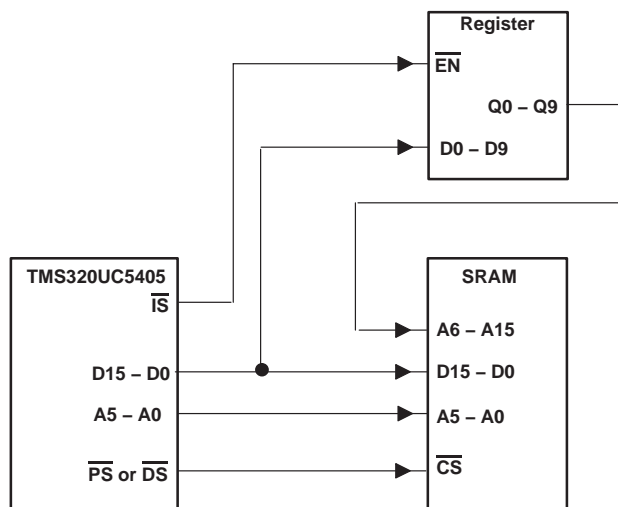


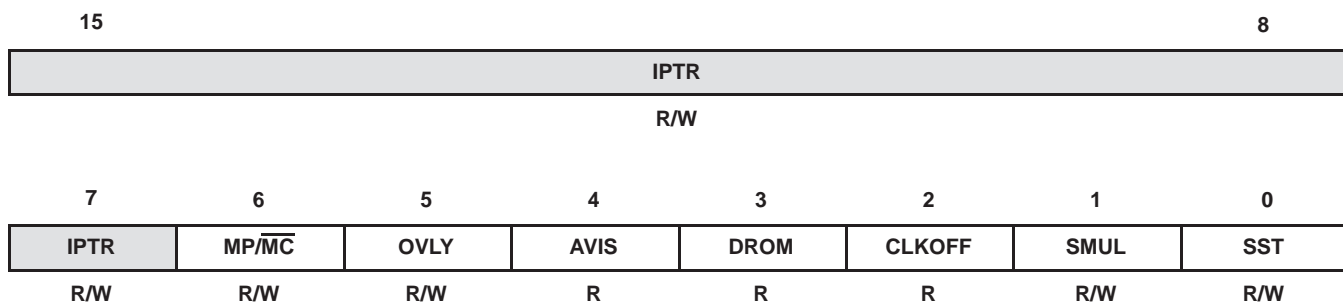
Figure 3-3. TMS320UC5405 External Memory Paging Scheme

3.1.5 Relocatable Interrupt Vector Table

The reset, interrupt, and trap vectors are addressed in program space. These vectors are soft — meaning that the processor, when taking the trap, loads the program counter (PC) with the trap address and executes the code at the vector location. Four words are reserved at each vector location to accommodate a delayed branch instruction, either two 1-word instructions or one 2-word instruction, which allows branching to the appropriate interrupt service routine with minimal overhead.

At device reset, the reset, interrupt, and trap vectors are mapped to address FF80h in program space. However, these vectors can be remapped to the beginning of any 128-word page in program space after device reset. This is done by loading the interrupt vector pointer (IPTR) bits in the PMST register (see Figure 3-4) with the appropriate 128-word page boundary address. After loading IPTR, any user interrupt or trap vector is mapped to the new 128-word page.

NOTE: The hardware reset (\overline{RS}) vector cannot be remapped because a hardware reset loads the IPTR with 1s. Therefore, the reset vector is always fetched at location FF80h in program space.



LEGEND: R = Read, W = Write, n = value present after reset

Figure 3-4. Processor Mode Status (PMST) Register

3.2 On-Chip Peripherals

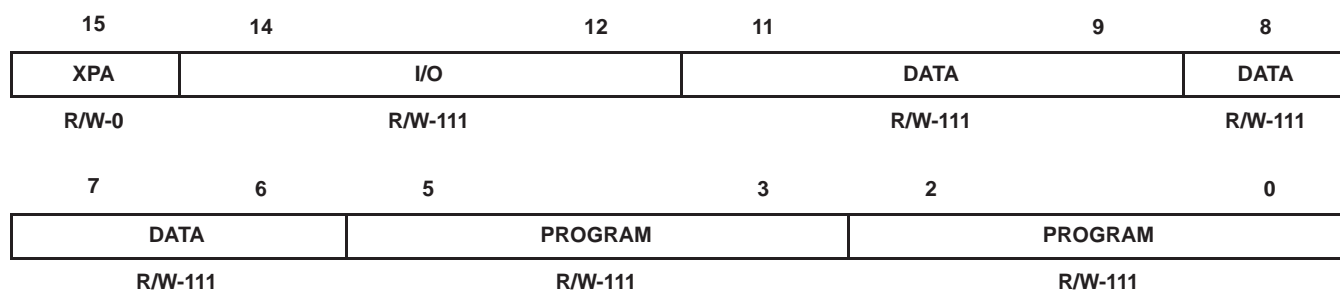
The UC5405 device supports the following on-chip peripherals:

- Software-programmable wait-state generator with programmable bank-switching wait states
- An enhanced 8-bit host-port interface (HPI8)
- Two multichannel buffered serial ports (McBSPs)
- Two hardware timers
- A clock generator with a phase-locked loop (PLL)
- A direct memory access (DMA) controller

3.2.1 Software-Programmable Wait-State Generator

The software wait-state generator of the UC5405 can extend external bus cycles by up to 14 machine cycles. Devices that require more than 14 wait states can be interfaced using the hardware READY line. When all external accesses are configured for zero wait states, the internal clocks to the wait-state generator are automatically disabled. Disabling the wait-state generator clocks reduces the power consumption of the UC5405.

The software wait-state register (SWWSR) controls the operation of the wait-state generator. The 15 LSBs of the SWWSR specify the number of wait states (0 to 7) to be inserted for external memory accesses to 5 separate address ranges. This allows a different number of wait states for each of the five address ranges. Additionally, the software wait-state multiplier (SWSM) bit of the software wait-state control register (SWCR) defines a multiplication factor of 1 or 2 for the number of wait states. At reset, the wait-state generator is initialized to provide seven wait states on all external memory accesses. The SWWSR bit fields are shown in Figure 3–5 and described in Table 3–2.



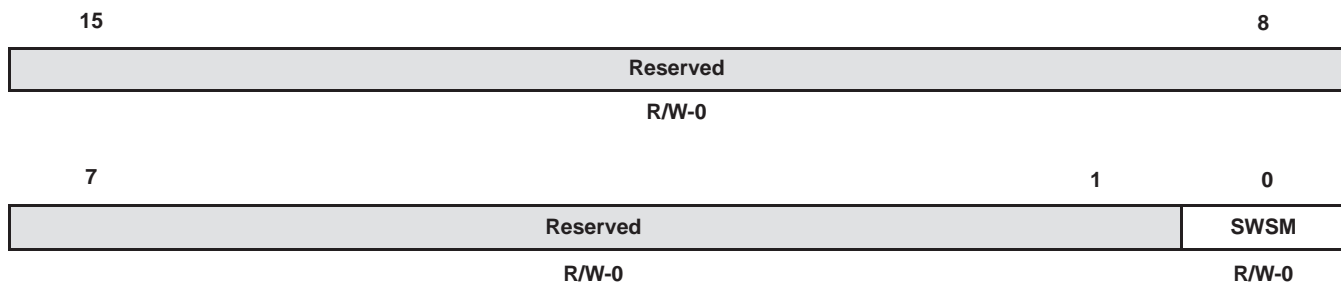
LEGEND: R = Read, W = Write, *n* = value present after reset

Figure 3–5. Software Wait-State Register (SWWSR) [Memory-Mapped Register (MMR) Address 0028h]

Table 3–2. Software Wait-State Register (SWWSR) Bit Fields

BIT NO.	BIT NAME	RESET VALUE	FUNCTION
15	XPA	0	Extended program address control bit. XPA is used in conjunction with the program space fields (bits 0 through 5) to select the address range for the program space wait states.
14–12	I/O	1	I/O space. The field value (0–7) corresponds to the base number of wait states for I/O space accesses within addresses 0000–FFFFh. The SWSM bit of the SWCR defines a multiplication factor of 1 or 2 for the base number of wait states.
11–9	Data	1	Upper data space. The field value (0–7) corresponds to the base number of wait states for external data space accesses within addresses 8000–FFFFh. The SWSM bit of the SWCR defines a multiplication factor of 1 or 2 for the base number of wait states.
8–6	Data	1	Lower data space. The field value (0–7) corresponds to the base number of wait states for external data space accesses within addresses 0000–7FFFh. The SWSM bit of the SWCR defines a multiplication factor of 1 or 2 for the base number of wait states.
5–3	Program	1	Upper program space. The field value (0–7) corresponds to the base number of wait states for external program space accesses within the following addresses: <input type="checkbox"/> XPA = 0: x8000 – xFFFFh <input type="checkbox"/> XPA = 1: The upper program space bit field has no effect on wait states. The SWSM bit of the SWCR defines a multiplication factor of 1 or 2 for the base number of wait states.
2–0	Program	1	Program space. The field value (0–7) corresponds to the base number of wait states for external program space accesses within the following addresses: <input type="checkbox"/> XPA = 0: x0000–x7FFFh <input type="checkbox"/> XPA = 1: 00000–FFFFFh The SWSM bit of the SWCR defines a multiplication factor of 1 or 2 for the base number of wait states.

The software wait-state multiplier bit (SWSM) of the software wait-state control register (SWCR) is used to extend the base number of wait states selected by the SWWSR. The SWCR bit fields are shown in Figure 3–6 and described in Table 3–3.



LEGEND: R = Read, W = Write, n = value present after reset

Figure 3–6. Software Wait-State Control Register (SWCR) [MMR Address 002Bh]

Table 3–3. Software Wait-State Control Register (SWCR) Bit Fields

BIT NO.	BIT NAME	RESET VALUE	FUNCTION
15–1	Reserved	0	These bits are reserved and are unaffected by writes.
0	SWSM	0	Software wait-state multiplier. Used to multiply the number of wait states defined in the SWWSR by a factor of 1 or 2. <input type="checkbox"/> SWSM = 0: wait-state base values are unchanged (multiplied by 1). <input type="checkbox"/> SWSM = 1: wait-state base values are multiplied by 2 for a maximum of 14 wait states.

3.2.1.1 Programmable Bank-Switching Wait States

The programmable bank-switching logic of the UC5405 is functionally equivalent to that of the 548/549 devices. This feature automatically inserts one cycle when accesses cross memory-bank boundaries within program or data memory space. A bank-switching wait state can also be automatically inserted when accesses cross the data space boundary into program space.

The bank-switching control register (BSCR) defines the bank size for bank-switching wait states. Figure 3–7 shows the BSCR and its bits are described in Table 3–4.

15	12	11	10	8
BNKCMP		PS-DS	Reserved	
R/W-1111		R/W-1	R-0	
7	3	2	1	0
Reserved		HBH	BH	EXIO
R-0		R/W-0	R/W-0	R/W-0

LEGEND: R = Read, W = Write, *n* = value present after reset

Figure 3–7. Bank-Switching Control Register (BSCR) [MMR Address 0029h]

Table 3–4. Bank-Switching Control Register (BSCR) Bit Fields

BIT NO.	BIT NAME	RESET VALUE	FUNCTION
15–12	BNKCMP	1111	Bank compare. Determines the external memory-bank size. BNKCMP is used to mask the four MSBs of an address. For example, if BNKCMP = 1111b, the four MSBs (bits 12–15) are compared, resulting in a bank size of 4K words. Bank sizes of 4K words to 64K words are allowed.
11	PS - DS	1	Program read – data read access. Inserts an extra cycle between consecutive accesses of program read and data read or data read and program read. PS-DS = 0 No extra cycles are inserted by this feature. PS-DS = 1 One extra cycle is inserted between consecutive data and program reads.
10–3	Reserved	0	These bits are reserved and are unaffected by writes.
2	HBH	0	HPI Bus holder. Controls the HPI bus holder feature. HBH is cleared to 0 at reset. HBH = 0 The bus holder is disabled. HBH = 1 The bus holder is enabled. When not driven, the HPI data bus (HD[7:0]) is held in the previous logic level.
1	BH	0	Bus holder. Controls the data bus holder feature. BH is cleared to 0 at reset. BH = 0 The bus holder is disabled. BH = 1 The bus holder is enabled. When not driven, the data bus (D[15:0]) is held in the previous logic level.
0	EXIO	0	External bus interface off. The EXIO bit controls the external bus-off function. EXIO = 0 The external bus interface functions as usual. EXIO = 1 The address bus, data bus, and control signals become inactive after completing the current bus cycle. Note that the DROM, MP/MC, and OVLY bits in the PMST and the HM bit of ST1 cannot be modified when the interface is disabled.

3.2.2 Parallel I/O Ports

The UC5405 has a total of 64K I/O ports. These ports can be addressed by the PORTR instruction or the PORTW instruction. The \overline{IS} signal indicates a read/write operation through an I/O port. The UC5405 can interface easily with external devices through the I/O ports while requiring minimal off-chip address-decoding circuits.

3.2.2.1 Enhanced 8-Bit Host-Port Interface (HPI8)

The UC5405 host-port interface, also referred to as the HPI8, is an enhanced version of the standard 8-bit HPI found on earlier 54x DSPs (542, 545, 548, and 549). The HPI8 is an 8-bit parallel port for interprocessor communication. The features of the HPI8 include:

Standard features:

- Sequential transfers (with autoincrement) or random-access transfers
- Host interrupt and 54x interrupt capability
- Multiple data strobes and control pins for interface flexibility

Enhanced features of the UC5405 HPI8:

- Access to entire on-chip RAM through DMA bus
- Capability to continue transferring during emulation stop

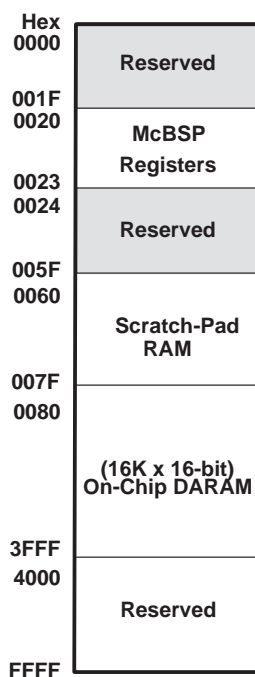


Figure 3–8. HPI8 Memory Map

The HPI8 functions as a slave and enables the host processor to access the on-chip memory of the UC5405. A major enhancement to the UC5405 HPI over previous versions is that it allows host access to the entire on-chip memory range of the DSP. The host and the DSP both have access to the on-chip RAM at all times and host accesses are always synchronized to the DSP clock. If the host and the DSP contend for access to the same location, the host has priority, and the DSP waits for one HPI8 cycle. Note that since host accesses are always synchronized to the UC5405 clock, an active input clock (CLKIN) is required for HPI8 accesses during IDLE states, and host accesses are not allowed while the UC5405 reset pin is asserted.

The HPI8 interface consists of an 8-bit bidirectional data bus and various control signals. Sixteen-bit transfers are accomplished in two parts with the HBIL input designating high or low byte. The host communicates with the HPI8 through three dedicated registers — HPI address register (HPIA), HPI data register (HPID), and an HPI control register (HPIC). The HPIA and HPID registers are only accessible by the host, and the HPIC register is accessible by both the host and the UC5405.

3.2.2.2 Multichannel Buffered Serial Ports

The UC5405 device includes two high-speed, full-duplex multichannel buffered serial ports (McBSPs) that allow direct interface to other C54x/LC54x DSPs, codecs, and other devices in a system. The McBSPs are based on the standard serial port interface found on other 54x devices. Like its predecessors, the McBSP provides:

- Full-duplex communication
- Double-buffered data registers, which allow a continuous data stream
- Independent framing and clocking for receive and transmit

In addition, the McBSP has the following capabilities:

- Direct interface to:
 - T1/E1 framers
 - MVIP switching compatible and ST-BUS compliant devices
 - IOM-2 compliant devices
 - Serial peripheral interface devices
- Multichannel transmit and receive of up to 128 channels
- A wide selection of data sizes including 8, 12, 16, 20, 24, or 32 bits
- μ -law and A-law companding
- Programmable polarity for both frame synchronization and data clocks
- Programmable internal clock and frame generation

The McBSPs consist of separate transmit and receive channels that operate independently. The external interface of each McBSP consists of the following pins:

- BCLKX Transmit reference clock
- BDX Transmit data
- BFSX Transmit frame synchronization
- BCLKR Receive reference clock
- BDR Receive data
- BFSR Receive frame synchronization

The six pins listed are functionally equivalent to the previous serial port interface pins in the TMS320C5000™ platform of DSPs. On the transmitter, transmit frame synchronization and clocking are indicated by the BFSX and BCLKX pins, respectively. The CPU or DMA can initiate transmission of data by writing to the data transmit register (DXR). Data written to DXR is shifted out on the BDX pin through a transmit shift register (XSR). This structure allows DXR to be loaded with the next word to be sent while the transmission of the current word is in progress.

On the receiver, receive frame synchronization and clocking are indicated by the BFSR and BCLKR pins, respectively. The CPU or DMA can read received data from the data receive register (DRR). Data received on the BDR pin is shifted into a receive shift register (RSR) and then buffered in the receive buffer register (RBR). If the DRR is empty, the RBR contents are copied into the DRR. If not, the RBR holds the data until the DRR is available. This structure allows storage of the two previous words while the reception of the current word is in progress.

The CPU and DMA can move data to and from the McBSPs and can synchronize transfers based on McBSP interrupts, event signals, and status flags. The DMA is capable of handling data movement between the McBSPs and memory with no intervention from the CPU.

In addition to the standard serial port functions, the McBSP provides programmable clock and frame synchronization generation. Among the programmable functions are:

- Frame synchronization pulse width
- Frame period
- Frame synchronization delay
- Clock reference (internal vs. external)
- Clock division
- Clock and frame synchronization polarity

The on-chip companding hardware allows compression and expansion of data in either μ -law or A-law format. When companding is used, transmit data is encoded according to specified companding law and received data is decoded to 2s complement format.

The McBSP allows multiple channels to be independently selected for the transmitter and receiver. When multiple channels are selected, each frame represents a time-division multiplexed (TDM) data stream. In using TDM data streams, the CPU may only need to process a few of them. Thus, to save memory and bus bandwidth, multichannel selection allows independent enabling of particular channels for transmission and reception. Up to 32 channels in a stream of up to 128 channels can be enabled.

The clock-stop mode (CLKSTP) in the McBSP provides compatibility with the serial peripheral interface (SPI) protocol. Clock-stop mode works with only single-phase frames and one word per frame. The word sizes supported by the McBSP are programmable for 8-, 12-, 16-, 20-, 24-, or 32-bit operation. When the McBSP is configured to operate in SPI mode, both the transmitter and the receiver operate together as a master or as a slave.

The McBSP is fully static and operates at arbitrarily low clock frequencies. The maximum frequency is CPU clock frequency divided by 2.

3.2.3 Hardware Timer

The UC5405 device features two 16-bit timing circuits with 4-bit prescalers. The main counter of each timer is decremented by one every CLKOUT cycle. Each time the counter decrements to 0, a timer interrupt is generated. The timers can be stopped, restarted, reset, or disabled by specific control bits.

3.2.4 Clock Generator

The clock generator provides clocks to the UC5405 device, and consists of an internal oscillator and a phase-locked loop (PLL) circuit. The clock generator requires a reference clock input, which can be provided by using a crystal resonator with the internal oscillator, or from an external reference clock source. The reference clock input is then divided by two or four (DIV mode) to generate clocks for the UC5405 device, or the PLL circuit can be used (PLL mode) to generate the device clock by multiplying the reference clock frequency by a scale factor. This allows the use of a clock source with a lower frequency than that of the CPU. The PLL is an adaptive circuit that, once synchronized, locks onto and tracks an input clock signal.

NOTE: If an external clock source is used, the CLKIN signal level should not exceed $CV_{DD} + 0.3$ V.

When the PLL is initially started, it enters a transitional mode during which the PLL acquires lock with the input signal. Once the PLL is locked, it continues to track and maintain synchronization with the input signal. Then, other internal clock circuitry allows the synthesis of new clock frequencies for use as master clock for the UC5405 device.

This clock generator allows system designers to select the clock source. The sources that drive the clock generator are:

- A crystal resonator circuit. The crystal resonator circuit is connected across the X1 and X2/CLKIN pins of the UC5405 to enable the internal oscillator.
- An external clock. The external clock source is directly connected to the X2/CLKIN pin, and X1 is left unconnected.

NOTE: If an external clock source is used, the CLKIN signal level should not exceed $CV_{DD} + 0.3\text{ V}$.

The software-programmable PLL features a high level of flexibility, and includes a clock scaler that provides various clock multiplier ratios, capability to directly enable and disable the PLL, and a PLL lock timer that can be used to delay switching to the PLL clocking mode of the device until lock is achieved. Devices that have a built-in software-programmable PLL can be configured in one of two clock modes:

- PLL mode. The input clock (X2/CLKIN) is multiplied by 1 of 31 possible ratios. These ratios are achieved using the PLL circuitry.
- DIV (divider) mode. The input clock is divided by 2 or 4. Note that when DIV mode is used, the PLL can be completely disabled to minimize power dissipation.

The software-programmable PLL is controlled using the 16-bit memory-mapped (address 0058h) clock mode register (CLKMD). The CLKMD register is used to define the clock configuration of the PLL clock module. Upon reset, the CLKMD register is initialized with a predetermined value dependent only upon the state of the CLKMD1 – CLKMD3 pins as shown in Table 3–5.

Table 3–5. Clock Mode Settings at Reset

CLKMD1	CLKMD2	CLKMD3	CLKMD RESET VALUE	CLOCK MODE
0	0	0	E007h	PLL x 15
0	0	1	9007h	PLL x 10
0	1	0	4007h	PLL x 5
1	0	0	1007h	PLL x 2
1	1	0	F007h	PLL x 1
1	1	1	0000h	1/2 (PLL disabled)
1	0	1	F000h	1/4 (PLL disabled)
0	1	1	—	Reserved (bypass mode)

3.2.5 DMA Controller

The UC5405 direct memory access (DMA) controller transfers data between points in the memory map without intervention by the CPU. The DMA controller allows movements of data to and from internal program/data memory or internal peripherals (such as the McBSPs) to occur in the background of CPU operation. The DMA has six independent programmable channels, allowing six different contexts for DMA operation.

3.2.5.1 Features

The DMA has the following features:

- The DMA operates independently of the CPU.
- The DMA has six channels. The DMA can keep track of the contexts of six independent block transfers.
- The DMA has higher priority than the CPU for internal accesses.
- Each channel has independently programmable priorities.
- Each channel's source and destination address registers can have configurable indexes through memory on each read and write transfer, respectively. The address may remain constant, be postincremented, postdecremented, or be adjusted by a programmable value.
- Each read or write transfer may be initialized by selected events.
- Upon completion of a half-block or an entire-block transfer, each DMA channel may send an interrupt to the CPU.
- The DMA can perform doubleword transfers (a 32-bit transfer of two 16-bit words).

3.2.5.2 DMA Memory Map

The DMA memory map allows DMA transfers to be unaffected by the status of the $\overline{MP/\overline{MC}}$, DROM, and OVLY bits. The DMA memory map (see Figure 3–9) is identical to that of the HPI8 controller.

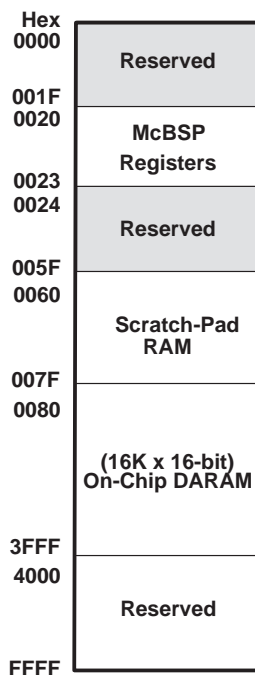


Figure 3–9. DMA Memory Map

3.2.5.3 DMA Priority Level

Each DMA channel can be independently assigned high priority or low priority relative to each other. Multiple DMA channels that are assigned to the same priority level are handled in a round-robin manner.

3.2.5.4 DMA Source/Destination Address Modification

The DMA provides flexible address-indexing modes for easy implementation of data management schemes such as autobuffering and circular buffers. Source and destination addresses can be indexed separately and can be postincremented, postdecremented, or postincremented with a specified index offset.

3.2.5.5 DMA in Autoinitialization Mode

The DMA can automatically reinitialize itself after completion of a block transfer. Some of the DMA registers can be preloaded for the next block transfer through the DMA global reload registers (DMGSA, DMGDA, and DMGCR). Autoinitialization allows:

- Continuous operation: Normally, the CPU would have to reinitialize the DMA immediately after the completion of the current block transfer; but with the global reload registers, it can reinitialize these values for the next block transfer any time after the current block transfer begins.
- Repetitive operation: The CPU does not preload the global reload register with new values for each block transfer but only loads them on the first block transfer.

3.2.5.6 DMA Transfer Counting

The DMA channel element count register (DMCTRx) and the frame count register (DMFRCx) contain bit fields that represent the number of frames and the number of elements per frame to be transferred.

- Frame count. This 8-bit value defines the total number of frames in the block transfer. The maximum number of frames per block transfer is 128 (FRAME COUNT= 0ffh). The counter is decremented upon the last read transfer in a frame transfer. Once the last frame is transferred, the selected 8-bit counter is reloaded with the DMA global frame reload register (DMGFR) if the AUTOINIT bit is set to 1. A frame count of 0 (default value) means the block transfer contains a single frame.
- Element count. This 16-bit value defines the number of elements per frame. This counter is decremented after the read transfer of each element. The maximum number of elements per frame is 65536 (DMCTRn = 0FFFFh). In autoinitialization mode, once the last frame is transferred, the counter is reloaded with the DMA global count reload register (DMGCR).

3.2.5.7 DMA Transfers in Doubleword Mode

Doubleword mode allows the DMA to transfer 32-bit words in any index mode. In doubleword mode, two consecutive 16-bit transfers are initiated and the source and destination addresses are automatically updated following each transfer. In this mode, each 32-bit word is considered to be one element.

3.2.5.8 DMA Channel Index Registers

The particular DMA channel index register is selected by way of the SIND and DIND field in the DMA mode control register (DMMCRx). Unlike basic address adjustment, in conjunction with the frame index DMFRI0 and DMFRI1, the DMA allows different adjustment amounts depending on whether or not the element transfer is the last in the current frame. The normal adjustment value (element index) is contained in the element index registers DMIDX0 and DMIDX1. The adjustment value (frame index) for the end of the frame is determined by the selected DMA frame index register, either DMFRI0 or DMFRI1.

The element index and the frame index affect address adjustment as follows:

- Element index: For all except the last transfer in the frame, the element index determines the amount to be added to the DMA channel for the source/destination address register (DMSRCx/DMDSTx) as selected by the SIND/DIND bits.
- Frame index: If the transfer is the last in a frame, the frame index is used for address adjustment as selected by the SIND/DIND bits. This occurs in both single-frame and multi-frame transfer.

3.2.5.9 DMA Interrupts

The ability of the DMA to interrupt the CPU based on the status of the data transfer is configurable and is determined by the IMOD and DINM bits in the DMA mode control register (DMMCRx). The available modes are shown in Table 3–6.

Table 3–6. DMA Interrupts

MODE	DINM		INTERRUPT
ABU (non-decrement)	1	0	At full buffer only
ABU (non-decrement)	1	1	At half buffer and full buffer
Multi-Frame	1	0	At block transfer complete (DMCTR _x = DMSEFC _x [7:0] = 0)
Multi-Frame	1	1	At end of frame and end of block (DMCTR _x = 0)
Either	0	X	No interrupt generated
Either	0	X	No interrupt generated

3.2.5.10 DMA Controller Synchronization Events

The transfers associated with each DMA channel can be synchronized to one of several events. The DSYN bit field of the DMA channel x sync select and frame count (DMSFC_x) register selects the synchronization event for a channel. The list of possible events and the DSYN values are shown in Table 3–7.

Table 3–7. DMA Synchronization Events

DSYN VALUE	DMA SYNCHRONIZATION EVENT
0000b	No synchronization used
0001b	McBSP0 receive event
0010b	McBSP0 transmit event
0011–0100b	Reserved
0101b	McBSP1 receive event
0110b	McBSP1 transmit event
0111b–0110b	Reserved
1101b	Timer0 interrupt
1110b	External interrupt 3
1111b	Timer1 interrupt

3.2.5.11 DMA Channel Interrupt Selection

The DMA controller can generate a CPU interrupt for each of the six channels. However, the interrupt sources for channels 0,1, 2, and 3 are multiplexed with other interrupt sources. DMA channels 2 and 3 share an interrupt line with the receive and transmit portions of McBSP1 (IMR/IFR bits 10 and 11), and DMA channel 1 shares an interrupt line with timer 1 (IMR/IFR bit 7). The interrupt source for DMA channel 0 is shared with a reserved interrupt source. When the UC5405 is reset, the interrupts from these four DMA channels are deselected. The INTSEL bit field in the DMA channel priority and enable control (DMPREC) register can be used to select these interrupts, as shown in Table 3–8.

Table 3–8. DMA Channel Interrupt Selection

INTSEL Value	IMR/IFR[6]	IMR/IFR[7]	IMR/IFR[10]	IMR/IFR[11]
00b (reset)	Reserved	TINT1	BRINT1	BXINT1
01b	Reserved	TINT1	DMAC2	DMAC3
10b	DMAC0	DMAC1	DMAC2	DMAC3
11b	Reserved			

3.3 Memory-Mapped Registers

The UC5405 has a set of memory-mapped registers associated with the CPU, on-chip peripherals, the McBSPs, and the DMA.

3.3.1 CPU Memory-Mapped Registers

The UC5405 has 27 memory-mapped CPU registers, which are mapped in data memory space addresses 0h to 1Fh. Table 3–9 gives a list of the CPU memory-mapped registers (MMRs) available on UC5405.

Table 3–9. CPU Memory-Mapped Registers

NAME	ADDRESS		DESCRIPTION
	DEC	HEX	
IMR	0	0	Interrupt mask register
IFR	1	1	Interrupt flag register
–	2–5	2–5	Reserved for testing
ST0	6	6	Status register 0
ST1	7	7	Status register 1
AL	8	8	Accumulator A low word (15–0)
AH	9	9	Accumulator A high word (31–16)
AG	10	A	Accumulator A guard bits (39–32)
BL	11	B	Accumulator B low word (15–0)
BH	12	C	Accumulator B high word (31–16)
BG	13	D	Accumulator B guard bits (39–32)
TREG	14	E	Temporary register
TRN	15	F	Transition register
AR0	16	10	Auxiliary register 0
AR1	17	11	Auxiliary register 1
AR2	18	12	Auxiliary register 2
AR3	19	13	Auxiliary register 3
AR4	20	14	Auxiliary register 4
AR5	21	15	Auxiliary register 5
AR6	22	16	Auxiliary register 6
AR7	23	17	Auxiliary register 7
SP	24	18	Stack pointer register
BK	25	19	Circular buffer size register
BRC	26	1A	Block-repeat counter
RSA	27	1B	Block-repeat start address
REA	28	1C	Block-repeat end address
PMST	29	1D	Processor mode status (PMST) register
XPC	30	1E	Extended program page register
–	31	1F	Reserved

3.3.2 Peripheral Memory-Mapped Registers

The UC5405 has a set of memory-mapped registers associated with peripherals as shown in Table 3–10.

Table 3–10. Peripheral Memory-Mapped Registers

NAME	ADDRESS	DESCRIPTION	TYPE
DRR20	20h	McBSP0 data receive register 2	McBSP #0
DRR10	21h	McBSP0 data receive register 1	McBSP #0
DXR20	22h	McBSP0 data transmit register 2	McBSP #0
DXR10	23h	McBSP0 data transmit register 1	McBSP #0
TIM	24h	Timer0 register	Timer0
PRD	25h	Timer0 period counter	Timer0
TCR	26h	Timer0 control register	Timer0
–	27h	Reserved	
SWWSR	28h	Software wait-state register	External Bus
BSCR	29h	Bank-switching control register	External Bus
–	2Ah	Reserved	
SWCR	2Bh	Software wait-state control register	External Bus
HPIC	2Ch	HPI control register	HPI
–	2Dh–2Fh	Reserved	
TIM1	30h	Timer1 register	Timer1
PRD1	31h	Timer1 period counter	Timer1
TCR1	32h	Timer1 control register	Timer1
–	33h–37h	Reserved	
SPSA0	38h	McBSP0 subbank address register [†]	McBSP #0
SPSD0	39h	McBSP0 subbank data register [†]	McBSP #0
–	3Ah–3Bh	Reserved	
GPIOCR	3Ch	General-purpose I/O pins control register	GPIO
GPIOSR	3Dh	General-purpose I/O pins status register	GPIO
–	3Eh–3Fh	Reserved	
DRR21	40h	McBSP1 data receive register 2	McBSP #1
DRR11	41h	McBSP1 data receive register 1	McBSP #1
DXR21	42h	McBSP1 data transmit register 2	McBSP #1
DXR11	43h	McBSP1 data transmit register 1	McBSP #1
–	44h–47h	Reserved	
SPSA1	48h	McBSP1 subbank address register [†]	McBSP #1
SPSD1	49h	McBSP1 subbank data register [†]	McBSP #1
–	4Ah–53h	Reserved	
DMPREC	54h	DMA channel priority and enable control register	DMA
DMSA	55h	DMA subbank address register [‡]	DMA
DMSDI	56h	DMA subbank data register with autoincrement [‡]	DMA
DMSDN	57h	DMA subbank data register [‡]	DMA
CLKMD	58h	Clock mode register	PLL
–	59h–5Fh	Reserved	

[†] See Table 3–11 for a detailed description of the McBSP control registers and their subaddresses.

[‡] See Table 3–12 for a detailed description of the DMA subbank addressed registers.

3.3.3 McBSP Control Registers and Subaddresses

The control registers for the multichannel buffered serial port (McBSP) are accessed using the subbank addressing scheme. This allows a set or subbank of registers to be accessed through a single memory location. The serial port subbank address (SPSA) register is used as a pointer to select a particular register within the subbank. The serial port subbank data (SPSD) register is used to access (read or write) the selected register. Table 3–11 shows the McBSP control registers and their corresponding subaddresses.

Table 3–11. McBSP Control Registers and Subaddresses

McBSP0		McBSP1		SUB- ADDRESS	DESCRIPTION
NAME	ADDRESS	NAME	ADDRESS		
SPCR10	39h	SPCR11	49h	00h	Serial port control register 1
SPCR20	39h	SPCR21	49h	01h	Serial port control register 2
RCR10	39h	RCR11	49h	02h	Receive control register 1
RCR20	39h	RCR21	49h	03h	Receive control register 2
XCR10	39h	XCR11	49h	04h	Transmit control register 1
XCR20	39h	XCR21	49h	05h	Transmit control register 2
SRGR10	39h	SRGR11	49h	06h	Sample rate generator register 1
SRGR20	39h	SRGR21	49h	07h	Sample rate generator register 2
MCR10	39h	MCR11	49h	08h	Multichannel register 1
MCR20	39h	MCR21	49h	09h	Multichannel register 2
RCERA0	39h	RCERA1	49h	0Ah	Receive channel enable register partition A
RCERB0	39h	RCERB1	49h	0Bh	Receive channel enable register partition B
XCERA0	39h	XCERA1	49h	0Ch	Transmit channel enable register partition A
XCERB0	39h	XCERB1	49h	0Dh	Transmit channel enable register partition B
PCR0	39h	PCR1	49h	0Eh	Pin control register

3.3.4 DMA Subbank Addressed Registers

The direct memory access (DMA) controller has several control registers associated with it. The main control register (DMPREC) is a standard memory-mapped register. However, the other registers are accessed using the subbank addressing scheme. This allows a set or subbank of registers to be accessed through a single memory location. The DMA subbank address (DMSA) register is used as a pointer to select a particular register within the subbank, while the DMA subbank data (DMSDN) register or the DMA subbank data register with autoincrement (DMSDI) is used to access (read or write) the selected register.

When the DMSDI register is used to access the subbank, the subbank address is automatically postincremented so that a subsequent access affects the next register within the subbank. This autoincrement feature is intended for efficient, successive accesses to several control registers. If the autoincrement feature is not required, the DMSDN register should be used to access the subbank. Table 3–12 shows the DMA controller subbank addressed registers and their corresponding subaddresses.

Table 3–12. DMA Subbank Addressed Registers

NAME	ADDRESS†	SUB-ADDRESS	DESCRIPTION
DMSRC0	56h/57h	00h	DMA channel 0 source address register
DMDST0	56h/57h	01h	DMA channel 0 destination address register
DMCTR0	56h/57h	02h	DMA channel 0 element count register
DMSFC0	56h/57h	03h	DMA channel 0 sync select and frame count register
DMMCR0	56h/57h	04h	DMA channel 0 transfer mode control register
DMSRC1	56h/57h	05h	DMA channel 1 source address register
DMDST1	56h/57h	06h	DMA channel 1 destination address register
DMCTR1	56h/57h	07h	DMA channel 1 element count register
DMSFC1	56h/57h	08h	DMA channel 1 sync select and frame count register
DMMCR1	56h/57h	09h	DMA channel 1 transfer mode control register
DMSRC2	56h/57h	0Ah	DMA channel 2 source address register
DMDST2	56h/57h	0Bh	DMA channel 2 destination address register
DMCTR2	56h/57h	0Ch	DMA channel 2 element count register
DMSFC2	56h/57h	0Dh	DMA channel 2 sync select and frame count register
DMMCR2	56h/57h	0Eh	DMA channel 2 transfer mode control register
DMSRC3	56h/57h	0Fh	DMA channel 3 source address register
DMDST3	56h/57h	10h	DMA channel 3 destination address register
DMCTR3	56h/57h	11h	DMA channel 3 element count register
DMSFC3	56h/57h	12h	DMA channel 3 sync select and frame count register
DMMCR3	56h/57h	13h	DMA channel 3 transfer mode control register
DMSRC4	56h/57h	14h	DMA channel 4 source address register
DMDST4	56h/57h	15h	DMA channel 4 destination address register
DMCTR4	56h/57h	16h	DMA channel 4 element count register
DMSFC4	56h/57h	17h	DMA channel 4 sync select and frame count register
DMMCR4	56h/57h	18h	DMA channel 4 transfer mode control register
DMSRC5	56h/57h	19h	DMA channel 5 source address register
DMDST5	56h/57h	1Ah	DMA channel 5 destination address register
DMCTR5	56h/57h	1Bh	DMA channel 5 element count register
DMSFC5	56h/57h	1Ch	DMA channel 5 sync select and frame count register
DMMCR5	56h/57h	1Dh	DMA channel 5 transfer mode control register
DMSRCP	56h/57h	1Eh	DMA source program page address (common channel)
DMDSTP	56h/57h	1Fh	DMA destination program page address (common channel)
DMIDX0	56h/57h	20h	DMA element index address register 0
DMIDX1	56h/57h	21h	DMA element index address register 1
DMFRI0	56h/57h	22h	DMA frame index register 0
DMFRI1	56h/57h	23h	DMA frame index register 1
DMGSA	56h/57h	24h	DMA global source address reload register
DMGDA	56h/57h	25h	DMA global destination address reload register
DMGCR	56h/57h	26h	DMA global count reload register
DMGFR	56h/57h	27h	DMA global frame count reload register

† Address 56h is used to access DMA subbank data registers with autoincrement (DMSDI) while address 57h is used to access DMA subbank data register without autoincrement (DMSDN).

3.4 Interrupts

Vector-relative locations and priorities for all internal and external interrupts are shown in Table 3–13.

Table 3–13. Interrupt Locations and Priorities

NAME	LOCATION		PRIORITY	FUNCTION
	DECIMAL	HEX		
\overline{RS} , SINTR	0	00	1	Reset (hardware and software reset)
\overline{NMI} , SINT16	4	04	2	Nonmaskable interrupt
SINT17	8	08	—	Software interrupt #17
SINT18	12	0C	—	Software interrupt #18
SINT19	16	10	—	Software interrupt #19
SINT20	20	14	—	Software interrupt #20
SINT21	24	18	—	Software interrupt #21
SINT22	28	1C	—	Software interrupt #22
SINT23	32	20	—	Software interrupt #23
SINT24	36	24	—	Software interrupt #24
SINT25	40	28	—	Software interrupt #25
SINT26	44	2C	—	Software interrupt #26
SINT27	48	30	—	Software interrupt #27
SINT28	52	34	—	Software interrupt #28
SINT29	56	38	—	Software interrupt #29
SINT30	60	3C	—	Software interrupt #30
$\overline{INT0}$, SINT0	64	40	3	External user interrupt #0
$\overline{INT1}$, SINT1	68	44	4	External user interrupt #1
$\overline{INT2}$, SINT2	72	48	5	External user interrupt #2
TINT0, SINT3	76	4C	6	Timer0 interrupt
BRINT0, SINT4	80	50	7	McBSP #0 receive interrupt
BXINT0, SINT5	84	54	8	McBSP #0 transmit interrupt
Reserved(DMAC0), SINT6	88	58	9	Reserved (default) or DMA channel 0 interrupt. The selection is made in the DMPREC register.
TINT1(DMAC1), SINT7	92	5C	10	Timer1 interrupt (default) or DMA channel 1 interrupt. The selection is made in the DMPREC register.
$\overline{INT3}$, SINT8	96	60	11	External user interrupt #3
HPINT, SINT9	100	64	12	HPI interrupt
BRINT1(DMAC2), SINT10	104	68	13	McBSP #1 receive interrupt (default) or DMA channel 2 interrupt. The selection is made in the DMPREC register.
BXINT1(DMAC3), SINT11	108	6C	14	McBSP #1 transmit interrupt (default) or DMA channel 3 interrupt. The selection is made in the DMPREC register.
DMAC4,SINT12	112	70	15	DMA channel 4 interrupt
DMAC5,SINT13	116	74	16	DMA channel 5 interrupt
Reserved	120–127	78–7F	—	Reserved

3.4.1 IFR and IMR Registers

The bits of the interrupt flag register (IFR) and interrupt mask register (IMR) are arranged as shown in Figure 3–10.



Figure 3–10. IFR and IMR Registers

Table 3–14. IFR and IMR Register Bit Fields

BIT		FUNCTION
NUMBER	NAME	
15–14	–	Reserved for future expansion
13	DMAC5	DMA channel 5 interrupt flag/mask bit
12	DMAC4	DMA channel 4 interrupt flag/mask bit
11	BXINT1/DMAC3	This bit can be configured as either the McBSP1 transmit interrupt flag/mask bit, or the DMA channel 3 interrupt flag/mask bit. The selection is made in the DMPREC register.
10	BRINT1/DMAC2	This bit can be configured as either the McBSP1 receive interrupt flag/mask bit, or the DMA channel 2 interrupt flag/mask bit. The selection is made in the DMPREC register.
9	HPINT	Host-to-C54x interrupt flag/mask
8	INT3	External interrupt 3 flag/mask
7	TINT1/DMAC1	This bit can be configured as either the timer1 interrupt flag/mask bit, or the DMA channel 1 interrupt flag/mask bit. The selection is made in the DMPREC register.
6	Reserved or DMAC0	This bit can be configured either as reserved or as the DMA channel 0 interrupt flag/mask bit. The selection is made in the DMPREC register.
5	BXINT0	McBSP0 transmit interrupt flag/mask bit
4	BRINT0	McBSP0 receive interrupt flag/mask bit
3	TINT0	Timer 0 interrupt flag/mask bit
2	INT2	External interrupt 2 flag/mask bit
1	INT1	External interrupt 1 flag/mask bit
0	INT0	External interrupt 0 flag/mask bit

4 Device Support

4.1 Device and Development-Support Tool Nomenclature

To designate the stages in the product development cycle, TI assigns prefixes to the part numbers of all TMS320™ DSP devices and support tools. Each TMS320™ DSP commercial family member has one of three prefixes: TMX, TMP, or TMS. Texas Instruments recommends two of three possible prefix designators for its support tools: TMDX and TMDS. These prefixes represent evolutionary stages of product development from engineering prototypes (TMX/TMDX) through fully qualified production devices/tools (TMS/TMDS).

Device development evolutionary flow:

- TMX** Experimental device that is not necessarily representative of the final device's electrical specifications
- TMP** Final silicon die that conforms to the device's electrical specifications but has not completed quality and reliability verification
- TMS** Fully qualified production device

Support tool development evolutionary flow:

- TMDX** Development-support product that has not yet completed Texas Instruments internal qualification testing.
- TMDS** Fully qualified development-support product

TMX and TMP devices and TMDX development-support tools are shipped with against the following disclaimer:

"Developmental product is intended for internal evaluation purposes."

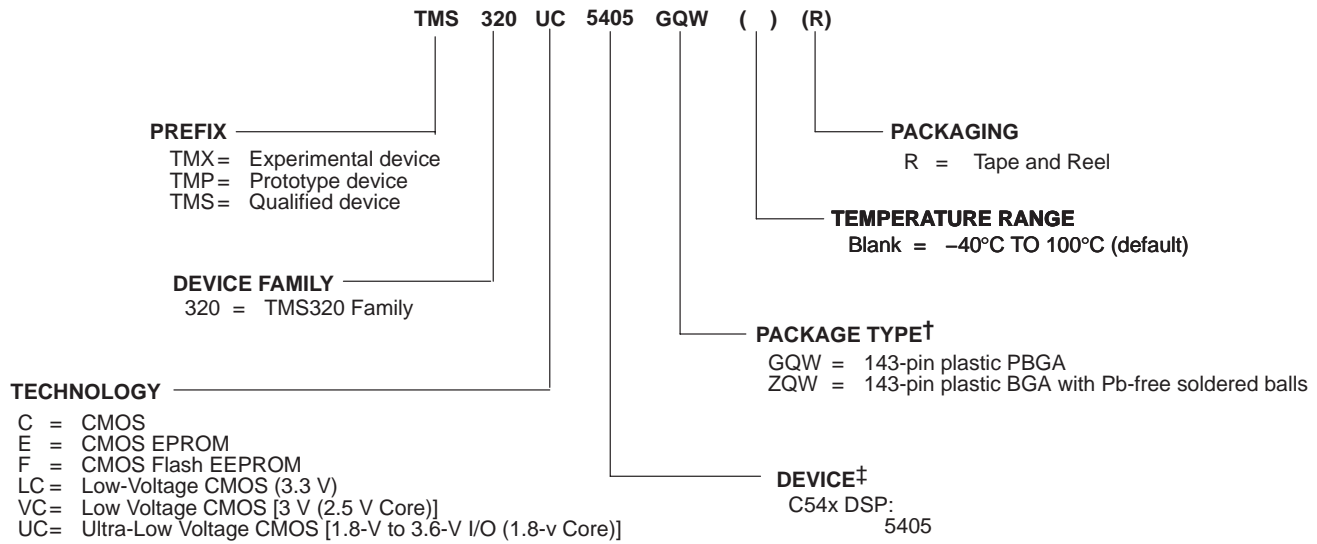
TMS devices and TMDS development-support tools have been characterized fully, and the quality and reliability of the device have been demonstrated fully. TI's standard warranty applies.

Predictions show that prototype devices (TMX or TMP) have a greater failure rate than the standard production devices. Texas Instruments recommends that these devices not be used in any production system because their expected end-use failure rate still is undefined. Only qualified production devices are to be used.

TI device nomenclature also includes a suffix with the device family name. This suffix indicates the package type (for example, GQW or ZQW) and temperature range (for example, "Blank" is the default temperature range). Figure 4–1 provides a legend for reading the complete device name for the TMS320UC5405 device.

For device part numbers and further ordering information for TMS320UC5405 in the GQW and ZQW package types, see the TI website (<http://www.ti.com>) or contact your TI sales representative.

TMS320 is a trademark of Texas Instruments.



† BGA = Ball Grid Array

‡ For actual part numbers (P/Ns) and ordering information, see the TI website (www.ti.com).

Figure 4–1. TMS320UC5405 DSP Device Nomenclature

5 Documentation Support

Extensive documentation supports all TMS320™ DSP family of devices from product announcement through applications development. The following types of documentation are available to support the design and use of the C5000™ platform of DSPs:

- *TMS320C54x™ DSP Functional Overview* (literature number SPRU307)
- Device-specific data sheets
- Complete user's guides
- Development support tools
- Hardware and software application reports

The five-volume *TMS320C54x DSP Reference Set* consists of:

- *Volume 1: CPU and Peripherals* (literature number SPRU131)
- *Volume 2: Mnemonic Instruction Set* (literature number SPRU172)
- *Volume 3: Algebraic Instruction Set* (literature number SPRU179)
- *Volume 4: Applications Guide* (literature number SPRU173)
- *Volume 5: Enhanced Peripherals* (literature number SPRU302)

The reference set describes in detail the TMS320C54x™ DSP products currently available and the hardware and software applications, including algorithms, for fixed-point TMS320™ DSP family of devices.

A series of DSP textbooks is published by Prentice-Hall and John Wiley & Sons to support digital signal processing research and education. The TMS320™ DSP newsletter, *Details on Signal Processing*, is published quarterly and distributed to update TMS320™ DSP customers on product information.

Information regarding TI DSP products is also available on the Worldwide Web at <http://www.ti.com> uniform resource locator (URL).

6 Electrical Specifications

This section provides the absolute maximum ratings and the recommended operating conditions for the TMS320UC5405 DSP.

6.1 Absolute Maximum Ratings

The list of absolute maximum ratings are specified over operating case temperature. Stresses beyond those listed under “absolute maximum ratings” may cause permanent damage to the device. These are stress ratings only, and functional operation of the device at these or any other conditions beyond those indicated under Section 6.2 is not implied. Exposure to absolute-maximum-rated conditions for extended periods may affect device reliability. All voltage values are with respect to V_{SS} . Figure 6–1 provides the test load circuit values for a 1.8-V device.

Supply voltage I/O range, DV_{DD}	–0.3 V to 4.0 V
Supply voltage core range, CV_{DD}	–0.3 V to 2.0 V
Input voltage range, V_I	–0.3 V to 4.5 V
Output voltage range, V_O	–0.3 V to 4.5 V
Operating case temperature range, T_C	–40°C to 100°C
Storage temperature range, T_{stg}	–55°C to 150°C

6.2 Recommended Operating Conditions

			MIN	NOM	MAX	UNIT
DV_{DD}	Device supply voltage, I/O		1.71		3.6	V
CV_{DD}	Device supply voltage, core		1.71	1.8	1.98	V
V_{SS}	Supply voltage, GND		0			V
V_{IH}	High-level input voltage	$DV_{DD} = 1.71\text{ V to }1.89\text{ V}$	X2/CLKIN	1.35	$CV_{DD} + 0.3$	V
			All other inputs	1.35	$DV_{DD} + 0.3$	
	$DV_{DD} = 1.90\text{ V to }2.99\text{ V}$	X2/CLKIN	1.35	$CV_{DD} + 0.3$		
		All other inputs	1.7	$DV_{DD} + 0.3$		
	$DV_{DD} = 3.0\text{ V to }3.6\text{ V}$	X2/CLKIN	1.35	$CV_{DD} + 0.3$		
		\overline{RS} , \overline{INTn} , \overline{NMI} , \overline{BIO} , $\overline{BCLKR0}$, $\overline{BCLKR1}$, $\overline{BCLKX0}$, $\overline{BCLKX1}$, \overline{HCS} , $\overline{HDS1}$, $\overline{HDS2}$, \overline{TDI} , \overline{TMS} , \overline{CLKMDn}	2.2	$DV_{DD} + 0.3$		
		TCK, \overline{TRST}	2.5	$DV_{DD} + 0.3$		
All other inputs	2	$DV_{DD} + 0.3$				
V_{IL}	Low-level input voltage	$DV_{DD} = 1.71\text{ V to }1.89\text{ V}$	X2/CLKIN	–0.3	0.6	V
			All other inputs	–0.3	0.6	
	$DV_{DD} = 1.90\text{ V to }3.6\text{ V}$	X2/CLKIN	–0.3	0.6		
		\overline{RS} , \overline{INTn} , \overline{NMI} , \overline{BIO} , $\overline{BCLKR0}$, $\overline{BCLKR1}$, $\overline{BCLKX0}$, $\overline{BCLKX1}$, \overline{HCS} , $\overline{HDS1}$, $\overline{HDS2}$, TCK, \overline{CLKMDn}	–0.3	0.6		
		All other inputs	–0.3	0.8		
I_{OH}	High-level output current				–300	μA
I_{OL}	Low-level output current				1.5	mA
T_C	Operating case temperature		–40		100	°C

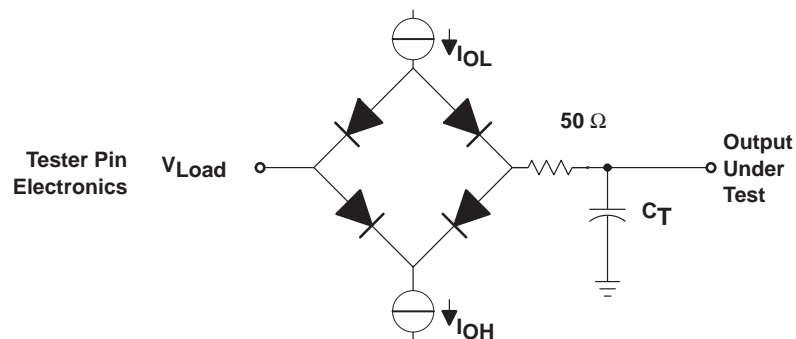
6.3 Electrical Characteristics Over Recommended Operating Case Temperature Range (Unless Otherwise Noted)

PARAMETER		TEST CONDITIONS		MIN	TYP†	MAX	UNIT
V_{OH}	High-level output voltage	$I_{OH} = \text{MAX}$		$DV_{DD} - 0.3$			V
V_{OL}	Low-level output voltage	$DV_{DD} = 1.71$ to 1.89 V	$I_{OL} = \text{MAX}$	CLKOUT		0.4	V
		$DV_{DD} = 1.9$ to 3.6 V	$I_{OL} = \text{MAX}$	All other outputs		0.35	
I_{IZ}	Input current for outputs in high impedance	D[15:0], HD[7:0]	Bus holders enabled, $DV_{DD} = \text{MAX}$, $V_I = V_{SS}$ to DV_{DD}		-175	175	μA
		All other inputs	$DV_{DD} = \text{MAX}$, $V_O = V_{SS}$ to DV_{DD}		-5	5	
I_I	Input current	X2/CLKIN		$(V_I = V_{SS}$ to $DV_{DD})$	-40	40	μA
		$\overline{\text{TRST}}$	With internal pulldown		-5	300	
		HPIENA	With internal pulldown		-5	300	
		TMS, TCK, TDI, HPI‡	With internal pullups, HPIENA = 0		-300	5	
		All other input-only pins			-5	5	
I_{DCC}	Supply current, core CPU	$CV_{DD} = 1.8$ V, $f_{\text{clock}} = 80$ MHz, § $T_C = 25^\circ\text{C}$			35		mA
I_{DDP}	Supply current, pins	$f_{\text{clock}} = 80$ MHz, § $T_C = 25^\circ\text{C}$		$DV_{DD} = 1.71$ to 1.89 V		12	mA
				$DV_{DD} = 1.9$ to 3.6 V		27	
I_{DD}	Supply current, standby	IDLE2	PLL $\times 1$ mode, 80 MHz input			1.6	mA
		IDLE3	Divide-by-two mode, CLKIN stopped			20	μA
C_i	Input capacitance				5		pF
C_o	Output capacitance				5		pF

† All values are typical unless otherwise specified.

‡ HPI input signals except for HPIENA.

§ Clock mode: PLL $\times 1$ with external source



Where: I_{OL} = 1.5 mA (all outputs)
 I_{OH} = 300 μA (all outputs)
 V_{Load} = 0.855 V
 C_T = 40 pF typical load circuit capacitance

Figure 6–1. 1.8-V Test Load Circuit

6.4 Timing Parameter Symbolology

Timing parameter symbols used in the timing requirements and switching characteristics tables are created in accordance with JEDEC Standard 100. To shorten the symbols, some of the pin names and other related terminology have been abbreviated as follows:

Lowercase subscripts and their meanings:

a	access time
c	cycle time (period)
d	delay time
dis	disable time
en	enable time
f	fall time
h	hold time
r	rise time
su	setup time
t	transition time
v	valid time
w	pulse duration (width)
X	Unknown, changing, or don't care level

Letters and symbols and their meanings:

H	High
L	Low
V	Valid
Z	High impedance

6.5 Clock Options

The frequency of the reference clock provided at the CLKIN pin can be divided by a factor of two or four or multiplied by one of several values to generate the internal machine cycle.

6.5.1 Internal Oscillator With External Crystal

The internal oscillator is enabled by connecting a crystal across X1 and X2/CLKIN. The frequency of CLKOUT is a multiple of the oscillator frequency. The multiply ratio is determined by the bit settings in the CLKMD register. The crystal should be in fundamental-mode operation, and parallel resonant, with an effective series resistance of 30 Ω and power dissipation of 1 mW. The circuit shown in Figure 6–2 represents fundamental-mode operation.

The connection of the required circuit, consisting of the crystal and two load capacitors, is shown in Figure 6–2. The load capacitors, C_1 and C_2 , should be chosen such that the equation below is satisfied. C_L in the equation is the load specified for the crystal.

$$C_L = \frac{C_1 C_2}{(C_1 + C_2)}$$

	MIN	MAX	UNIT
f_{clock} Input clock frequency	10	20	MHz

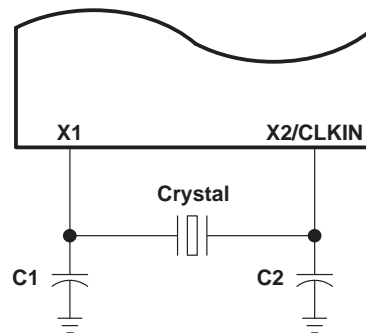


Figure 6–2. Internal Oscillator With External Crystal

6.5.2 Divide-By-Two Clock Option (PLL disabled)

The frequency of the reference clock provided at the X2/CLKIN pin can be divided by a factor of two to generate the internal machine cycle. The selection of the clock mode is described in the clock generator section.

When an external clock source is used, the external frequency injected must conform to specifications listed in Table 6–1.

NOTE: If an external clock source is used, the CLKIN signal level should not exceed $CV_{DD} + 0.3$ V.

Table 6–1 and Table 6–2 assume testing over recommended operating conditions and $H = 0.5t_{c(CO)}$ (see Figure 6–3).

Table 6–1. Divide-By-2 and Divide-by-4 Clock Options Timing Requirements

		MIN	MAX	UNIT
$t_c(CI)$	Cycle time, X2/CLKIN	6.25	†	ns
$t_f(CI)$	Fall time, X2/CLKIN		8	ns
$t_r(CI)$	Rise time, X2/CLKIN		8	ns

† This device utilizes a fully static design and therefore can operate with $t_c(CI)$ approaching ∞ . The device is characterized at frequencies approaching 0 Hz.

Table 6–2. Divide-By-2 and Divide-by-4 Clock Options Switching Characteristics

PARAMETER	MIN	TYP	MAX	UNIT
$t_c(CO)$	12.5‡	$2t_c(CI)$	†	ns
$t_d(CIH-CO)$	7	12	20	ns
$t_f(CO)$		4		ns
$t_r(CO)$		4		ns
$t_w(COL)$	H–2		H + 2	ns
$t_w(COH)$	H–2		H + 2	ns

† This device utilizes a fully static design and therefore can operate with $t_c(CI)$ approaching ∞ . The device is characterized at frequencies approaching 0 Hz.

‡ It is recommended that the PLL clocking option be used for maximum frequency operation.

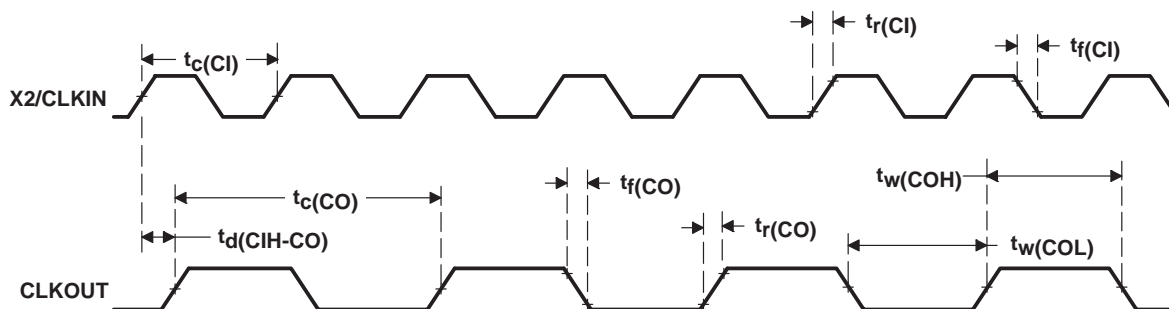


Figure 6–3. External Divide-by-Two Clock Timing

6.5.3 Multiply-By-N Clock Option (PLL Enabled)

The frequency of the reference clock provided at the X2/CLKIN pin can be multiplied by a factor of N to generate the internal machine cycle. The selection of the clock mode and the value of N is described in the clock generator section.

When an external clock source is used, the external frequency injected must conform to specifications listed in Table 6–3.

NOTE: If an external clock source is used, the CLKIN signal level should not exceed $CV_{DD} + 0.3$ V.

Table 6–3 and Table 6–4 assume testing over recommended operating conditions and $H = 0.5t_{c(CO)}$ (see Figure 6–4).

Table 6–3. Multiply-By-N Clock Option Timing Requirements†

		MIN	MAX	UNIT	
$t_{c(Cl)}$	Cycle time, X2/CLKIN	Integer PLL multiplier N (N = 1–15)	12.5N	400N	ns
		PLL multiplier N = x.5	12.5N	200N	
		PLL multiplier N = x.25, x.75	12.5N	100N	
$t_f(Cl)$	Fall time, X2/CLKIN		8	ns	
$t_r(Cl)$	Rise time, X2/CLKIN		8	ns	

† N = Multiplication factor

Table 6–4. Multiply-By-N Clock Option Switching Characteristics

PARAMETER		MIN	TYP	MAX	UNIT
$t_{c(CO)}$	Cycle time, CLKOUT	12.5	$t_{c(Cl)}/N^{\dagger}$		ns
$t_d(Cl-CO)$	Delay time, X2/CLKIN high/low to CLKOUT high/low	7	10	20	ns
$t_f(CO)$	Fall time, CLKOUT		4		ns
$t_r(CO)$	Rise time, CLKOUT		4		ns
$t_w(COL)$	Pulse duration, CLKOUT low	H–2		H + 2	ns
$t_w(COH)$	Pulse duration, CLKOUT high	H–2		H + 2	ns
t_p	Transitory phase, PLL lock up time			30	μ s

† N = Multiplication factor

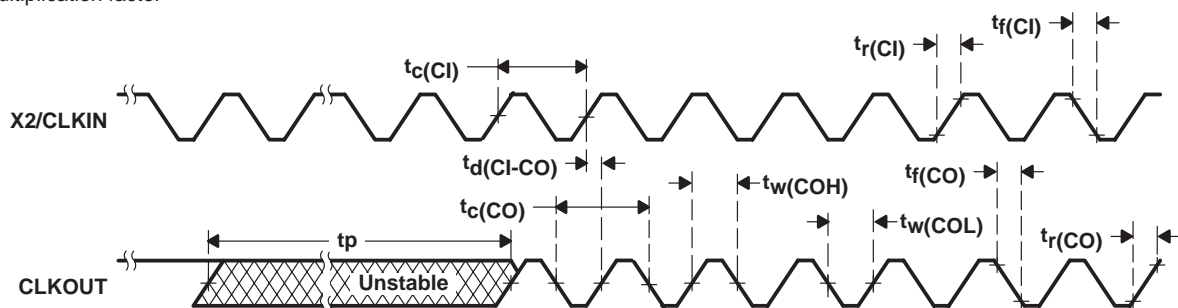


Figure 6–4. External Multiply-by-One Clock Timing

6.6 Memory and Parallel I/O Interface Timing

6.6.1 Memory Read

Table 6–5 and Table 6–6 assume testing over recommended operating conditions with $\overline{\text{MSTRB}} = 0$ and $H = 0.5t_{c(\text{CO})}$ (see Figure 6–5).

Table 6–5. Memory Read Timing Requirements†

	MIN	MAX	UNIT
$t_{a(\text{A})\text{M}}$ Access time, read data access from address valid		2H–14	ns
$t_{a(\text{MSTRBL})}$ Access time, read data access from $\overline{\text{MSTRB}}$ low		2H–14	ns
$t_{\text{su}(\text{D})\text{R}}$ Setup time, read data before CLKOUT low	7		ns
$t_{\text{h}(\text{D})\text{R}}$ Hold time, read data after CLKOUT low	0		ns
$t_{\text{h}(\text{A-D})\text{R}}$ Hold time, read data after address invalid	0		ns
$t_{\text{h}(\text{D})\text{MSTRBH}}$ Hold time, read data after $\overline{\text{MSTRB}}$ high	0		ns

† Address, $\overline{\text{PS}}$, and $\overline{\text{DS}}$ timings are all included in timings referenced as address.

Table 6–6. Memory Read Switching Characteristics†

PARAMETER	MIN	MAX	UNIT
$t_{\text{d}(\text{CLKL-A})}$ Delay time, CLKOUT low to address valid†	0	8	ns
$t_{\text{d}(\text{CLKL-MSL})}$ Delay time, CLKOUT low to $\overline{\text{MSTRB}}$ low	0	8	ns
$t_{\text{d}(\text{CLKL-MSH})}$ Delay time, CLKOUT low to $\overline{\text{MSTRB}}$ high	0	8	ns
$t_{\text{h}(\text{CLKL-A})\text{R}}$ Hold time, address valid after CLKOUT low†	0	7	ns
$t_{\text{h}(\text{CLKH-A})\text{R}}$ Hold time, address valid after CLKOUT high§	0	5	ns

† Address, $\overline{\text{PS}}$, and $\overline{\text{DS}}$ timings are all included in timings referenced as address.

‡ In the case of a memory read preceded by a memory read

§ In the case of a memory read preceded by a memory write

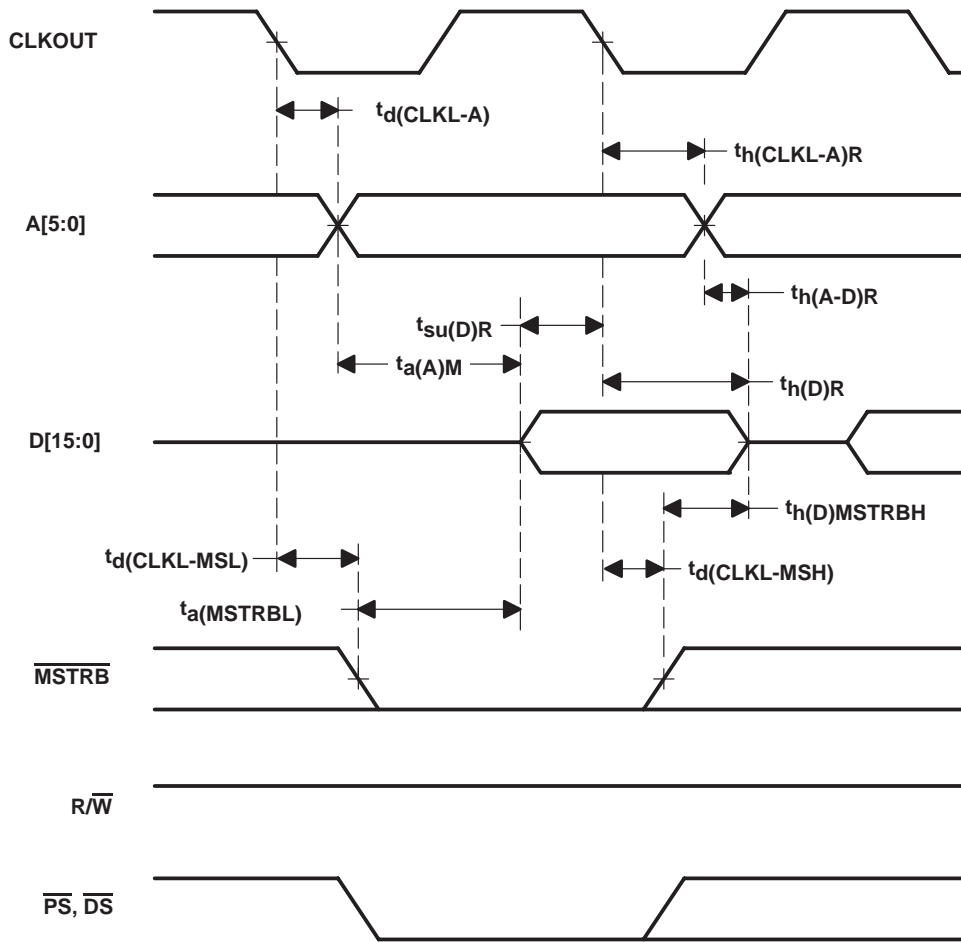


Figure 6-5. Memory Read

6.6.2 Memory Write

Table 6–7 assumes testing over recommended operating conditions with $\overline{\text{MSTRB}} = 0$ and $H = 0.5t_{c(\text{CO})}$ (see Figure 6–6).

Table 6–7. Memory Write Switching Characteristics†

PARAMETER		MIN	MAX	UNIT
$t_{d(\text{CLKH-A})}$	Delay time, CLKOUT high to address valid‡	0	5	ns
$t_{d(\text{CLKL-A})}$	Delay time, CLKOUT low to address valid§	0	8	ns
$t_{d(\text{CLKL-MSL})}$	Delay time, CLKOUT low to $\overline{\text{MSTRB}}$ low	0	8	ns
$t_{d(\text{CLKL-D})W}$	Delay time, CLKOUT low to data valid	0	17	ns
$t_{d(\text{CLKL-MSH})}$	Delay time, CLKOUT low to $\overline{\text{MSTRB}}$ high	0	8	ns
$t_{d(\text{CLKH-RWL})}$	Delay time, CLKOUT high to $\overline{\text{R/W}}$ low	-1	5	ns
$t_{d(\text{CLKH-RWH})}$	Delay time, CLKOUT high to $\overline{\text{R/W}}$ high	-2	5	ns
$t_{d(\text{RWL-MSTRBL})}$	Delay time, $\overline{\text{R/W}}$ low to $\overline{\text{MSTRB}}$ low	$H - 4$	$H + 2$	ns
$t_{h(\text{A})W}$	Hold time, address valid after CLKOUT high‡	0	5	ns
$t_{h(\text{D})MSH}$	Hold time, write data valid after $\overline{\text{MSTRB}}$ high	$H - 3$	$H + 14$	ns
$t_{w(\text{SL})MS}$	Pulse duration, $\overline{\text{MSTRB}}$ low	$2H - 5$		ns
$t_{su(\text{A})W}$	Setup time, address valid before $\overline{\text{MSTRB}}$ low	$2H - 4$		ns
$t_{su(\text{D})MSH}$	Setup time, write data valid before $\overline{\text{MSTRB}}$ high	$2H - 14$	$2H + 5$	ns
$t_{en(\text{D-RWL})}$	Enable time, data bus driven from $\overline{\text{R/W}}$ low	$H - 5$		ns
$t_{dis(\text{RWH-D})}$	Disable time, data bus high impedance from $\overline{\text{R/W}}$ high		0	ns

† Address, PS, and DS timings are all included in timings referenced as address.

‡ In the case of a memory write preceded by a memory write

§ In the case of a memory write preceded by an I/O cycle

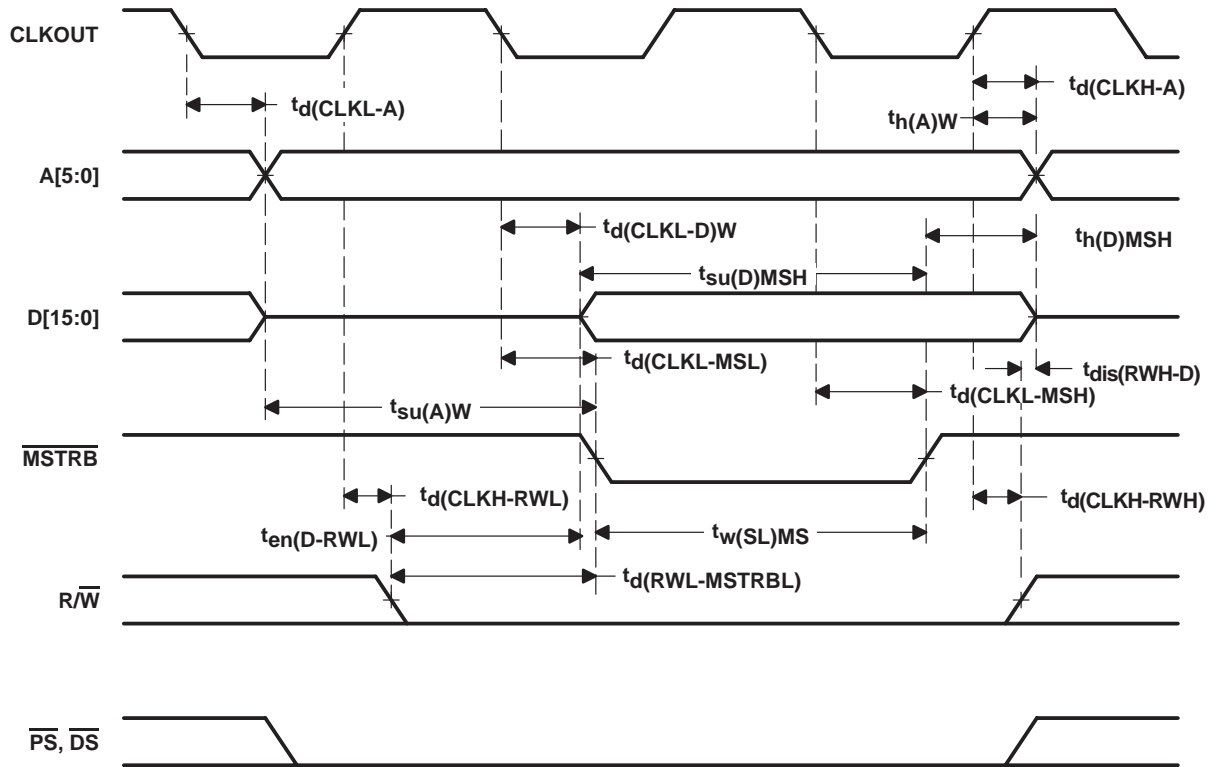


Figure 6–6. Memory Write

6.6.3 I/O Read

Table 6–8 and Table 6–9 assume testing over recommended operating conditions, $\overline{\text{IOSTRB}} = 0$, and $H = 0.5t_{c(\text{CO})}$ (see Figure 6–7).

Table 6–8. I/O Read Timing Requirements

		MIN	MAX	UNIT
$t_{a(\text{A})\text{IO}}$	Access time, read data access from address valid [†]		3H–17	ns
$t_{a(\text{ISTRBL})\text{IO}}$	Access time, read data access from $\overline{\text{IOSTRB}}$ low		3H–17	ns
$t_{\text{su}(\text{D})\text{IOR}}$	Setup time, read data before CLKOUT high	9		ns
$t_{\text{h}(\text{D})\text{IOR}}$	Hold time, read data after CLKOUT high	0		ns
$t_{\text{h}(\text{ISTRBH-D})\text{R}}$	Hold time, read data after $\overline{\text{IOSTRB}}$ high	0		ns

[†] Address and $\overline{\text{IS}}$ timings are included in timings referenced as address.

Table 6–9. I/O Read Switching Characteristics

PARAMETER		MIN	MAX	UNIT
$t_{\text{d}(\text{CLKL-A})}$	Delay time, CLKOUT low to address valid [†]	0	8	ns
$t_{\text{d}(\text{CLKH-ISTRBL})}$	Delay time, CLKOUT high to $\overline{\text{IOSTRB}}$ low	–2	5	ns
$t_{\text{d}(\text{CLKH-ISTRBH})}$	Delay time, CLKOUT high to $\overline{\text{IOSTRB}}$ high	–2	5	ns
$t_{\text{h}(\text{A})\text{IOR}}$	Hold time, address after CLKOUT low [†]	0	8	ns

[†] Address and $\overline{\text{IS}}$ timings are included in timings referenced as address.

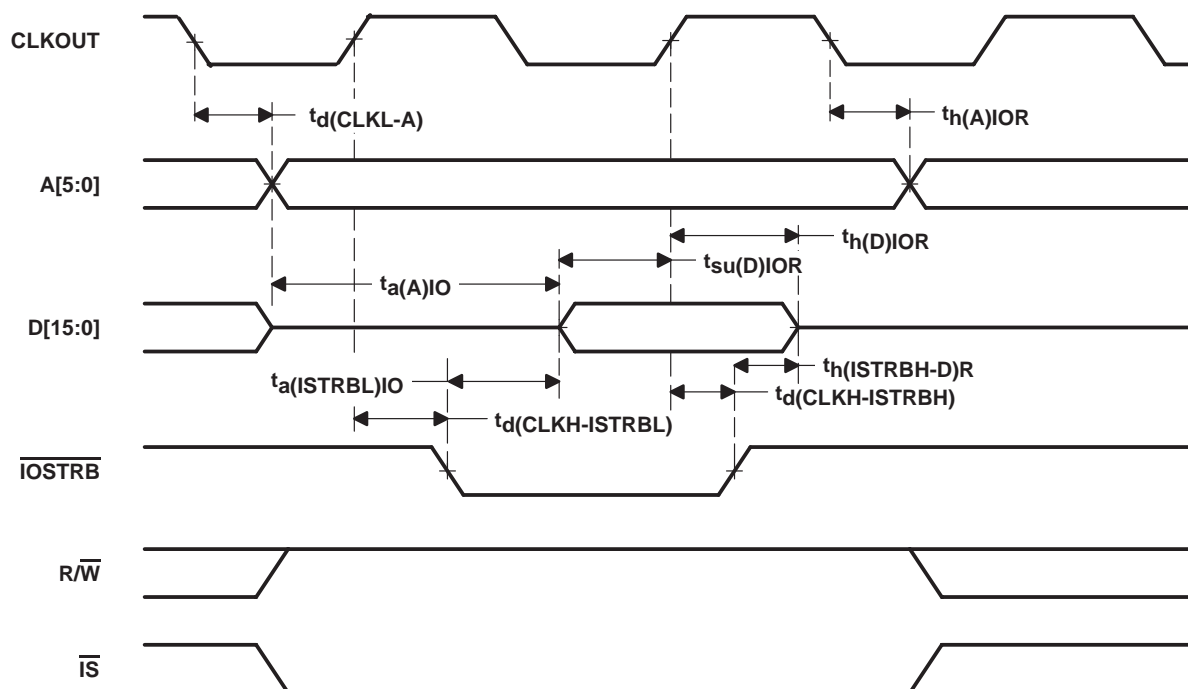


Figure 6–7. Parallel I/O Port Read

6.6.4 I/O Write

Table 6–10 assumes testing over recommended operating conditions, $\overline{\text{IOSTRB}} = 0$, and $H = 0.5t_{\text{C(CO)}}$ (see Figure 6–8).

Table 6–10. I/O Write Switching Characteristics

PARAMETER		MIN	MAX	UNIT
$t_{\text{d}}(\text{CLKL-A})$	Delay time, CLKOUT low to address valid [†]	0	8	ns
$t_{\text{d}}(\text{CLKH-ISTRBL})$	Delay time, CLKOUT high to $\overline{\text{IOSTRB}}$ low	-2	5	ns
$t_{\text{d}}(\text{CLKH-D} \text{IOW})$	Delay time, CLKOUT high to write data valid	H-5	H+14	ns
$t_{\text{d}}(\text{CLKH-ISTRBH})$	Delay time, CLKOUT high to $\overline{\text{IOSTRB}}$ high	-2	5	ns
$t_{\text{d}}(\text{CLKL-RWL})$	Delay time, CLKOUT low to $\overline{\text{R/W}}$ low	0	8	ns
$t_{\text{d}}(\text{CLKL-RWH})$	Delay time, CLKOUT low to $\overline{\text{R/W}}$ high	0	8	ns
$t_{\text{h}}(\text{A} \text{IOW})$	Hold time, address valid after CLKOUT low [†]	0	8	ns
$t_{\text{h}}(\text{D} \text{IOW})$	Hold time, write data after $\overline{\text{IOSTRB}}$ high	H-3	H+11	ns
$t_{\text{su}}(\text{D} \text{IOSTRBH})$	Setup time, write data before $\overline{\text{IOSTRB}}$ high	H-11	H+1	ns
$t_{\text{su}}(\text{A} \text{IOSTRBL})$	Setup time, address valid before $\overline{\text{IOSTRB}}$ low [†]	H-2	H+2	ns

[†] Address and $\overline{\text{IS}}$ timings are included in timings referenced as address.

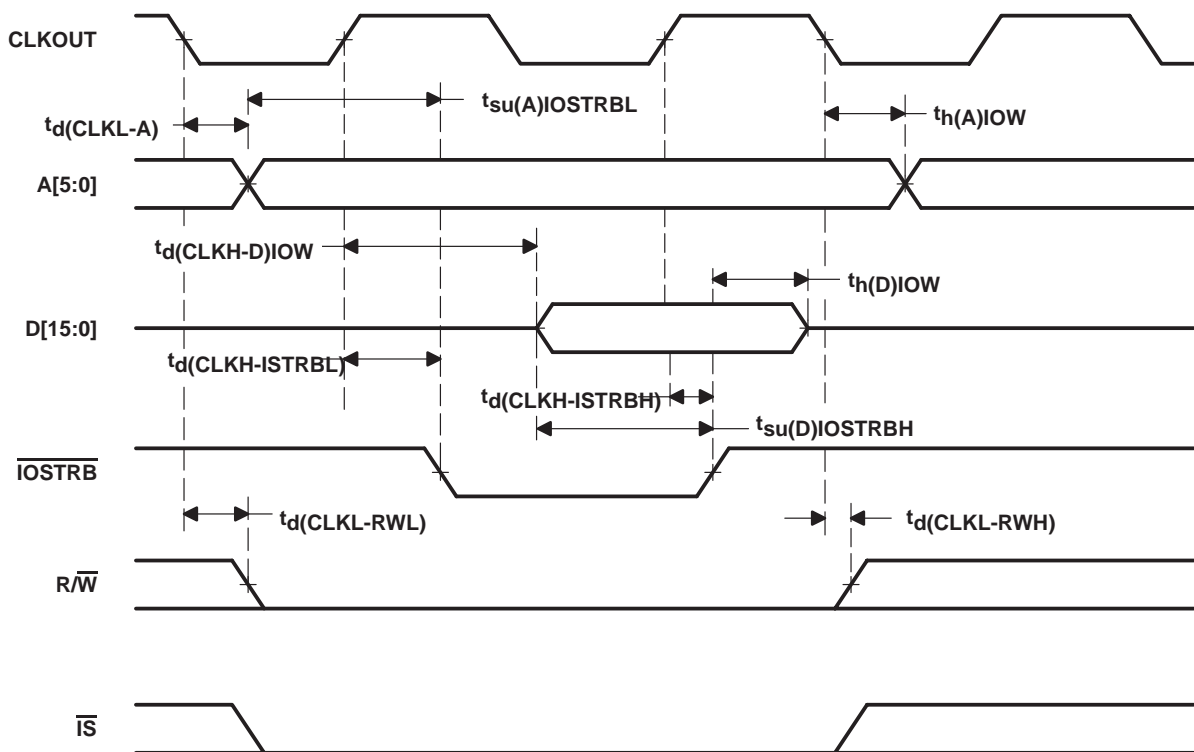


Figure 6–8. Parallel I/O Port Write

6.7 Ready Timing for Externally Generated Wait States

Table 6–11 assumes testing over recommended operating conditions and $H = 0.5t_{c(CO)}$ (see Figure 6–9 through Figure 6–12).

Table 6–11. Ready Timing Requirements for Externally Generated Wait States†

		MIN	MAX	UNIT
$t_{su(RDY)}$	Setup time, READY before CLKOUT low	7		ns
$t_{h(RDY)}$	Hold time, READY after CLKOUT low	-2		ns
$t_{v(RDY)MSTRB}$	Valid time, READY after \overline{MSTRB} low‡		4H-11	ns
$t_{h(RDY)MSTRB}$	Hold time, READY after \overline{MSTRB} low‡	4H-4		ns
$t_{v(RDY)IOSTRB}$	Valid time, READY after \overline{IOSTRB} low‡		5H-11	ns
$t_{h(RDY)IOSTRB}$	Hold time, READY after \overline{IOSTRB} low‡	5H-3		ns

† The hardware wait states can be used only in conjunction with the software wait states to extend the bus cycles. To generate wait states by READY, at least two software wait states must be programmed. READY is not sampled until the completion of the internal software wait states.

‡ These timings are included for reference only. The critical timings for READY are those referenced to CLKOUT.

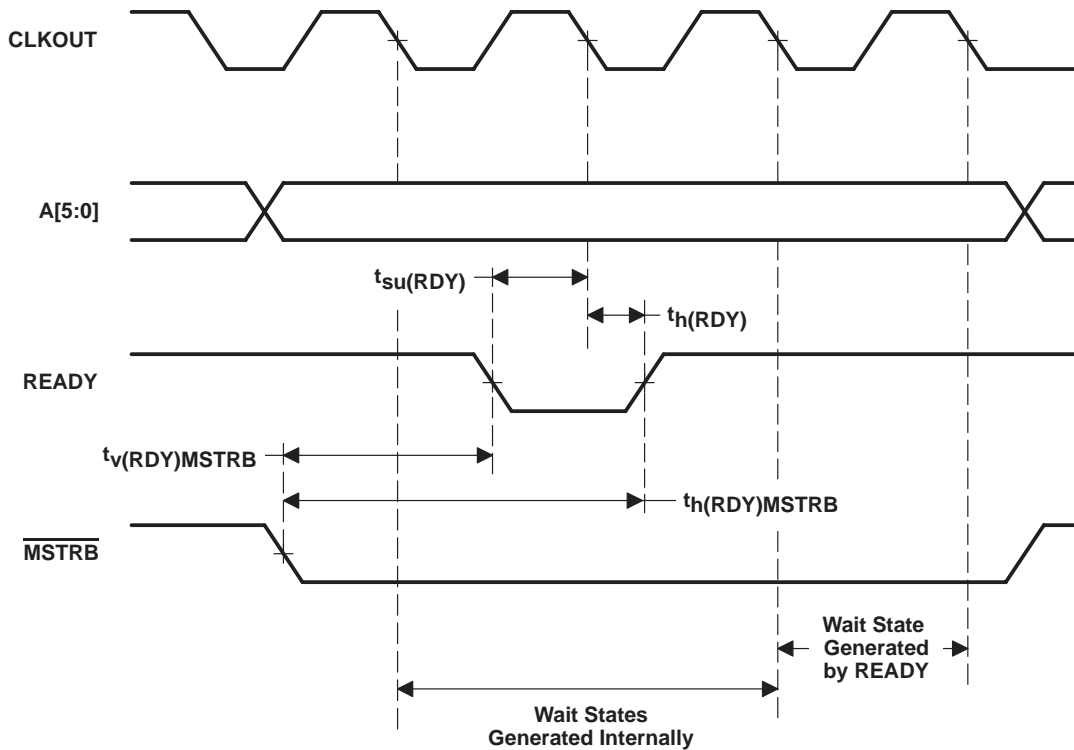


Figure 6–9. Memory Read With Externally Generated Wait States

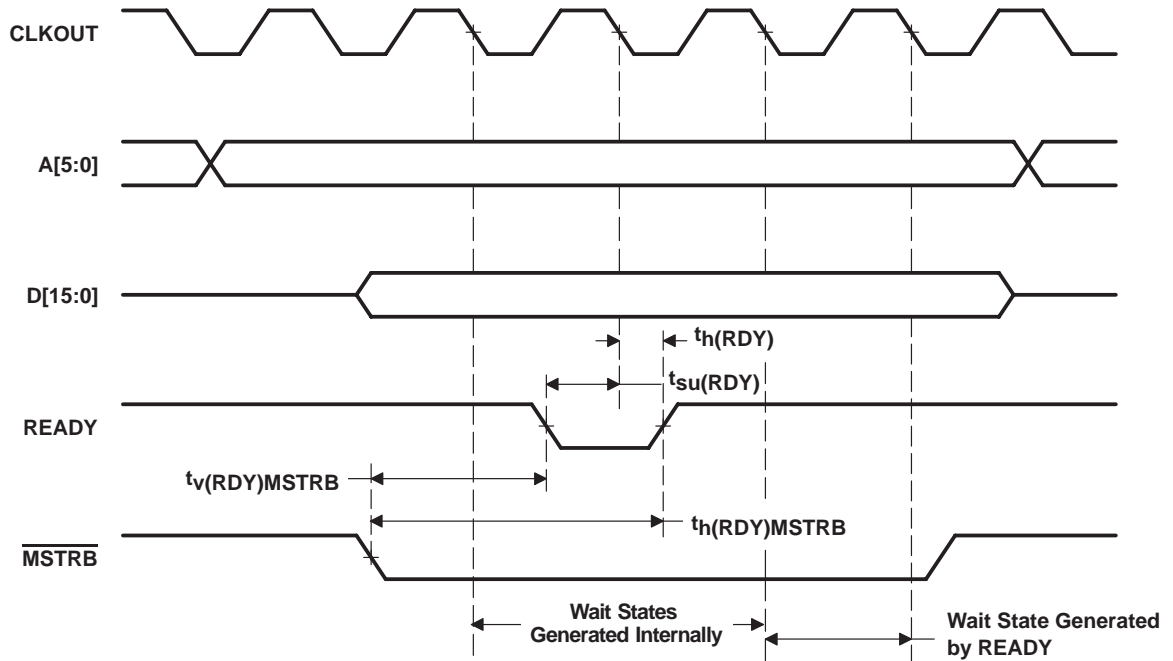


Figure 6–10. Memory Write With Externally Generated Wait States

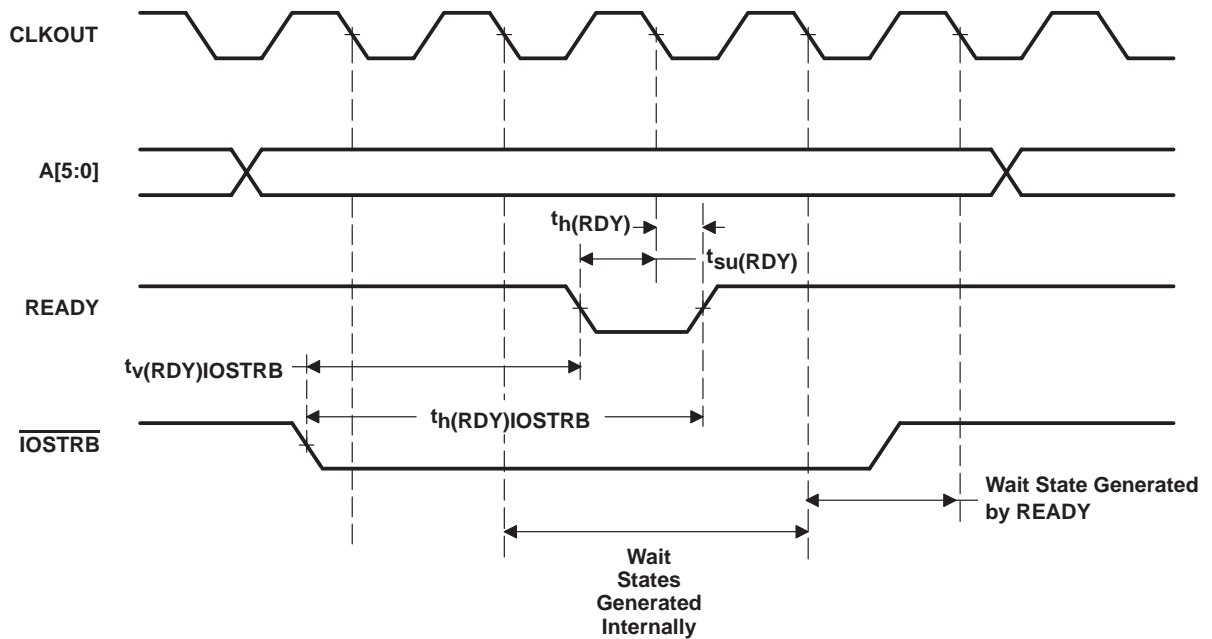


Figure 6–11. I/O Read With Externally Generated Wait States

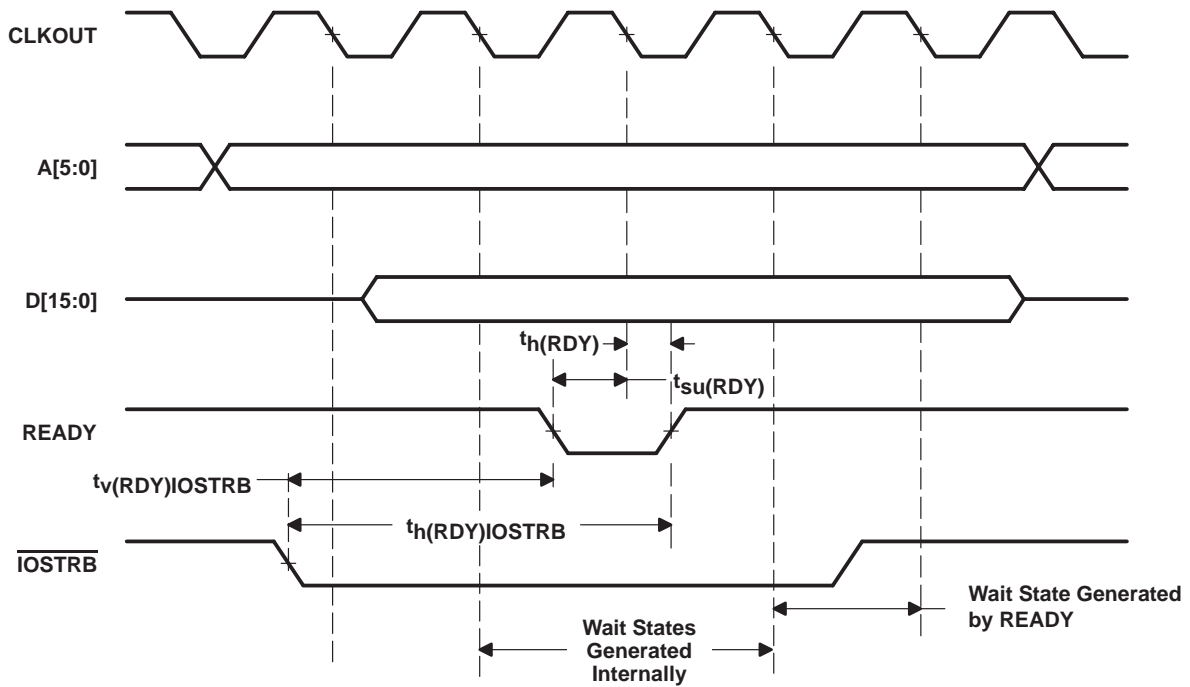


Figure 6–12. I/O Write With Externally Generated Wait States

6.8 $\overline{\text{HOLD}}$ and $\overline{\text{HOLDA}}$ Timings

Table 6–12 and Table 6–13 assume testing over recommended operating conditions and $H = 0.5t_{c(\text{CO})}$ (see Figure 6–13).

Table 6–12. $\overline{\text{HOLD}}$ and $\overline{\text{HOLDA}}$ Timing Requirements

		MIN	MAX	UNIT
$t_{w(\text{HOLD})}$	Pulse duration, $\overline{\text{HOLD}}$ low	4H+7		ns
$t_{su(\text{HOLD})}$	Setup time, $\overline{\text{HOLD}}$ low/high before CLKOUT low	7		ns

Table 6–13. $\overline{\text{HOLD}}$ and $\overline{\text{HOLDA}}$ Switching Characteristics

PARAMETER		MIN	MAX	UNIT
$t_{\text{dis}(\text{CLKL-A})}$	Disable time, address, $\overline{\text{PS}}$, $\overline{\text{DS}}$, $\overline{\text{IS}}$ high impedance from CLKOUT low		3	ns
$t_{\text{dis}(\text{CLKL-RW})}$	Disable time, $\overline{\text{R/W}}$ high impedance from CLKOUT low		3	ns
$t_{\text{dis}(\text{CLKL-S})}$	Disable time, $\overline{\text{MSTRB}}$, $\overline{\text{IOSTRB}}$ high impedance from CLKOUT low		3	ns
$t_{\text{en}(\text{CLKL-A})}$	Enable time, address, $\overline{\text{PS}}$, $\overline{\text{DS}}$, $\overline{\text{IS}}$ from CLKOUT low		2H+7	ns
$t_{\text{en}(\text{CLKL-RW})}$	Enable time, $\overline{\text{R/W}}$ enabled from CLKOUT low		2H+7	ns
$t_{\text{en}(\text{CLKL-S})}$	Enable time, $\overline{\text{MSTRB}}$, $\overline{\text{IOSTRB}}$ enabled from CLKOUT low		2H+7	ns
$t_{v(\text{HOLDA})}$	Valid time, $\overline{\text{HOLDA}}$ low after CLKOUT low	0	8	ns
	Valid time, $\overline{\text{HOLDA}}$ high after CLKOUT low	0	8	ns
$t_{w(\text{HOLDA})}$	Pulse duration, $\overline{\text{HOLDA}}$ low duration	2H		ns

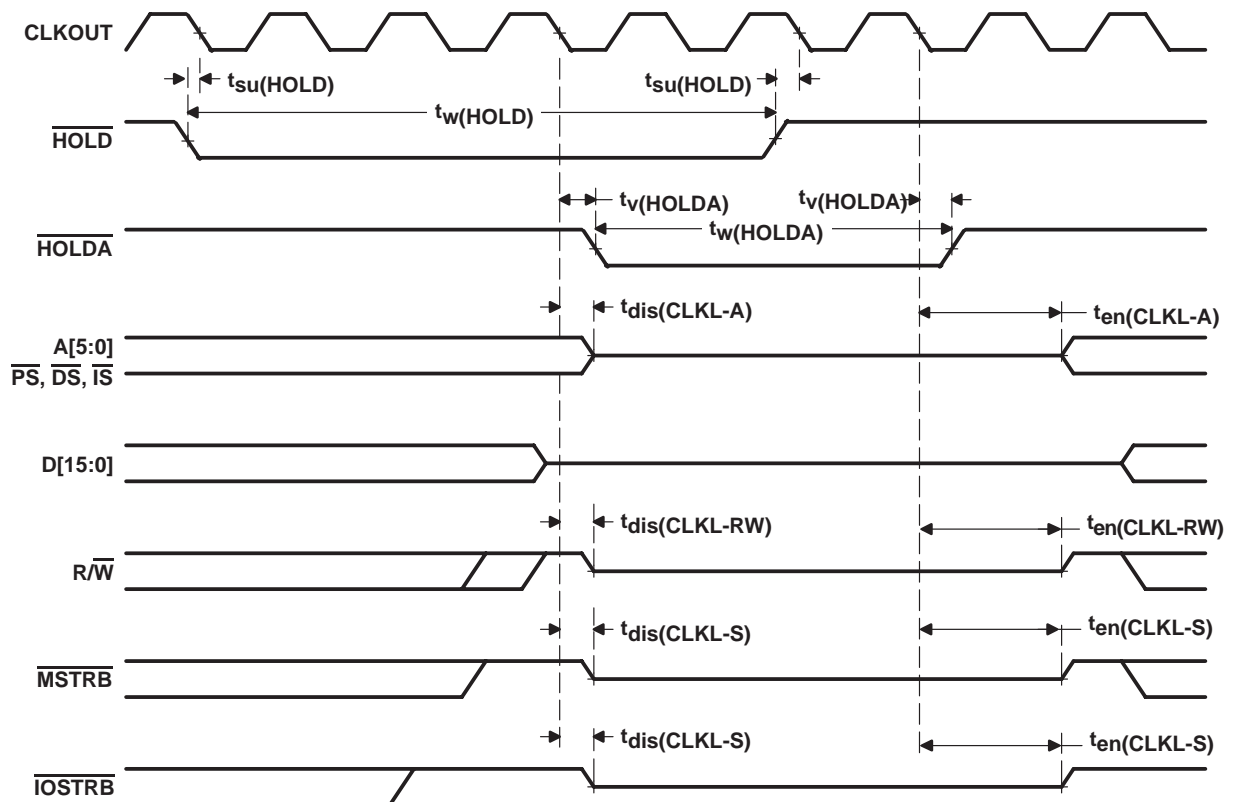


Figure 6–13. $\overline{\text{HOLD}}$ and $\overline{\text{HOLDA}}$ Timings (HM = 1)

6.9 Reset, $\overline{\text{BIO}}$, Interrupt, and $\text{MP}/\overline{\text{MC}}$ Timings

Table 6–14 assumes testing over recommended operating conditions and $H = 0.5t_{\text{c}}(\text{CO})$ (see Figure 6–14, Figure 6–15, and Figure 6–16).

Table 6–14. Reset, $\overline{\text{BIO}}$, Interrupt, and $\text{MP}/\overline{\text{MC}}$ Timing Requirements

		MIN	MAX	UNIT
$t_{\text{h}}(\text{RS})$	Hold time, $\overline{\text{RS}}$ after CLKOUT low	0		ns
$t_{\text{h}}(\text{BIO})$	Hold time, $\overline{\text{BIO}}$ after CLKOUT low	-2		ns
$t_{\text{h}}(\text{INT})$	Hold time, $\overline{\text{INTn}}$, $\overline{\text{NMI}}$, after CLKOUT low [†]	-3		ns
$t_{\text{h}}(\text{MPMC})$	Hold time, $\text{MP}/\overline{\text{MC}}$ after CLKOUT low	0		ns
$t_{\text{w}}(\text{RSL})$	Pulse duration, $\overline{\text{RS}}$ low ^{‡§}	4H+5		ns
$t_{\text{w}}(\text{BIO})\text{S}$	Pulse duration, $\overline{\text{BIO}}$ low, synchronous	2H+4		ns
$t_{\text{w}}(\text{BIO})\text{A}$	Pulse duration, $\overline{\text{BIO}}$ low, asynchronous	4H		ns
$t_{\text{w}}(\text{INTH})\text{S}$	Pulse duration, $\overline{\text{INTn}}$, $\overline{\text{NMI}}$ high (synchronous)	2H-1		ns
$t_{\text{w}}(\text{INTH})\text{A}$	Pulse duration, $\overline{\text{INTn}}$, $\overline{\text{NMI}}$ high (asynchronous)	4H		ns
$t_{\text{w}}(\text{INTL})\text{S}$	Pulse duration, $\overline{\text{INTn}}$, $\overline{\text{NMI}}$ low (synchronous)	2H+1		ns
$t_{\text{w}}(\text{INTL})\text{A}$	Pulse duration, $\overline{\text{INTn}}$, $\overline{\text{NMI}}$ low (asynchronous)	4H		ns
$t_{\text{w}}(\text{INTL})\text{WKP}$	Pulse duration, $\overline{\text{INTn}}$, $\overline{\text{NMI}}$ low for IDLE2/IDLE3 wakeup	8		ns
$t_{\text{su}}(\text{RS})$	Setup time, $\overline{\text{RS}}$ before X2/CLKIN low [¶]	5		ns
$t_{\text{su}}(\text{BIO})$	Setup time, $\overline{\text{BIO}}$ before CLKOUT low	7	12	ns
$t_{\text{su}}(\text{INT})$	Setup time, $\overline{\text{INTn}}$, $\overline{\text{NMI}}$, $\overline{\text{RS}}$ before CLKOUT low	8	12	ns
$t_{\text{su}}(\text{MPMC})$	Setup time, $\text{MP}/\overline{\text{MC}}$ before CLKOUT low	10		ns

[†] The external interrupts ($\overline{\text{INT0}}-\overline{\text{INT3}}$, $\overline{\text{NMI}}$) are synchronized to the core CPU by way of a two-flip-flop synchronizer which samples these inputs with consecutive falling edges of CLKOUT. The input to the interrupt pins is required to represent a 1-0-0 sequence at the timing that is corresponding to three CLKOUT sampling sequences.

[‡] If the PLL mode is selected, then at power-on sequence, or at wakeup from IDLE3, $\overline{\text{RS}}$ must be held low for at least 50 μs to ensure synchronization and lock-in of the PLL.

[§] Note that $\overline{\text{RS}}$ may cause a change in clock frequency, therefore changing the value of H.

[¶] Divide-by-two mode

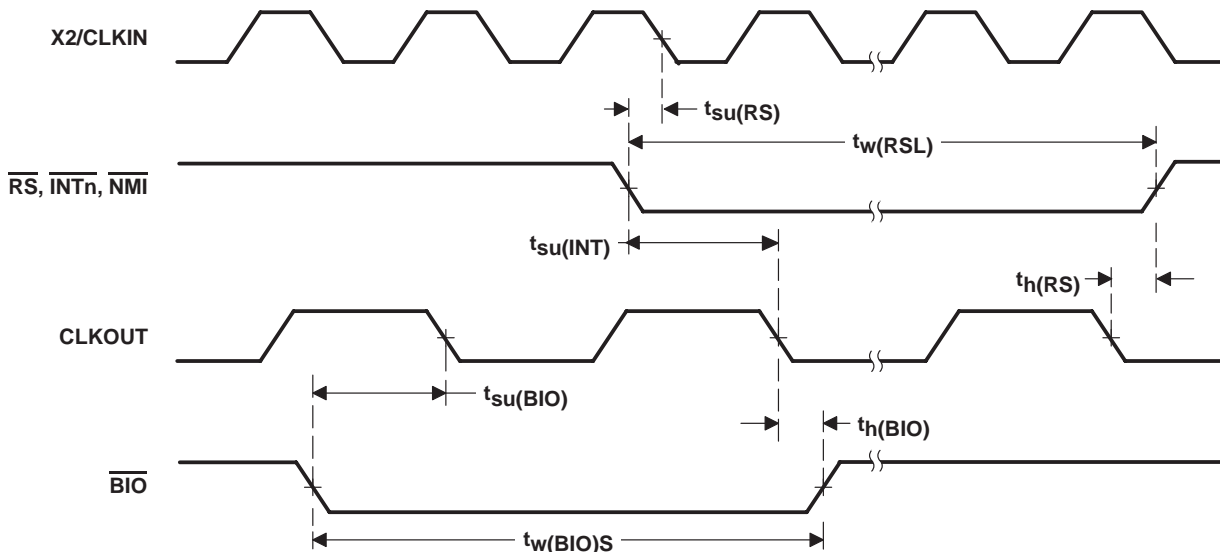


Figure 6–14. Reset and $\overline{\text{BIO}}$ Timings

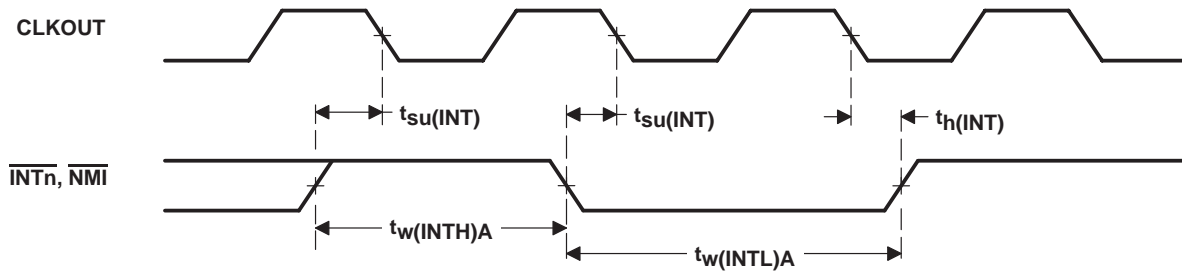


Figure 6–15. Interrupt Timing

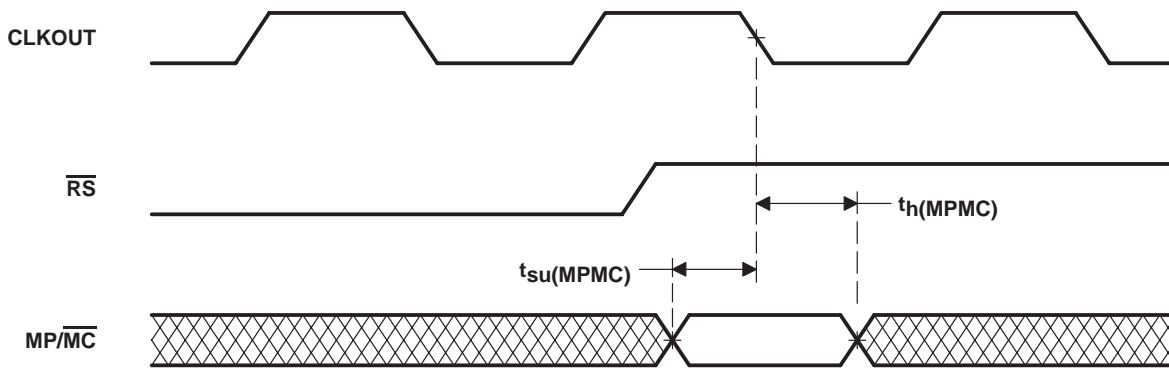


Figure 6–16. $\overline{\text{MP}}/\overline{\text{MC}}$ Timing

6.10 Interrupt Acknowledge ($\overline{\text{IACK}}$) Timings

Table 6–15 assumes testing over recommended operating conditions and $H = 0.5t_{c(CO)}$ (see Figure 6–17).

Table 6–15. Interrupt Acknowledge ($\overline{\text{IACK}}$) Switching Characteristics

PARAMETER		MIN	MAX	UNIT
$t_{d(\text{CLKL-IACKL})}$	Delay time, CLKOUT low to $\overline{\text{IACK}}$ low	0	9	ns
$t_{d(\text{CLKL-IACKH})}$	Delay time, CLKOUT low to $\overline{\text{IACK}}$ high	1	6	ns
$t_{d(A)\text{IACK}}$	Delay time, address valid to $\overline{\text{IACK}}$ low		2	ns
$t_{h(A)\text{IACK}}$	Hold time, $\overline{\text{IACK}}$ high after address invalid	-2		ns
$t_w(\text{IACKL})$	Pulse duration, $\overline{\text{IACK}}$ low	2H-1		ns

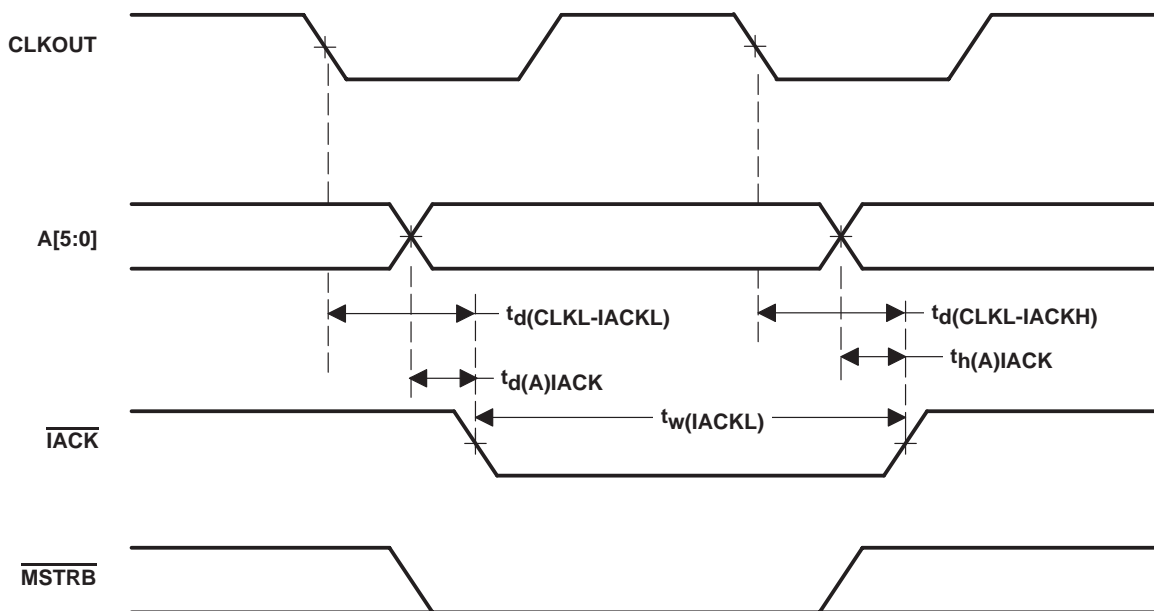


Figure 6–17. $\overline{\text{IACK}}$ Timings

6.11 External Flag (XF) and TOUT Timings

Table 6–16 assumes testing over recommended operating conditions and $H = 0.5t_{c(CO)}$ (see Figure 6–18 and Figure 6–19).

Table 6–16. External Flag (XF) and TOUT Switching Characteristics

PARAMETER		MIN	MAX	UNIT
$t_{d(XF)}$	Delay time, CLKOUT low to XF high	-1	8	ns
	Delay time, CLKOUT low to XF low	-1	8	
$t_{d(TOUTH)}$	Delay time, CLKOUT low to TOUT high	0	11	ns
$t_{d(TOURL)}$	Delay time, CLKOUT low to TOUT low	0	9	ns
$t_w(TOUT)$	Pulse duration, TOUT	2H-1		ns

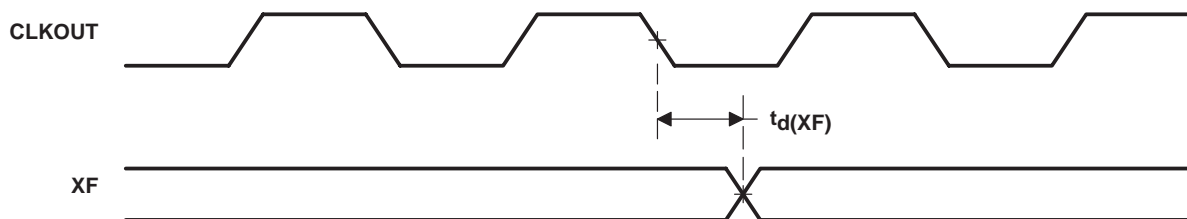


Figure 6–18. XF Timing

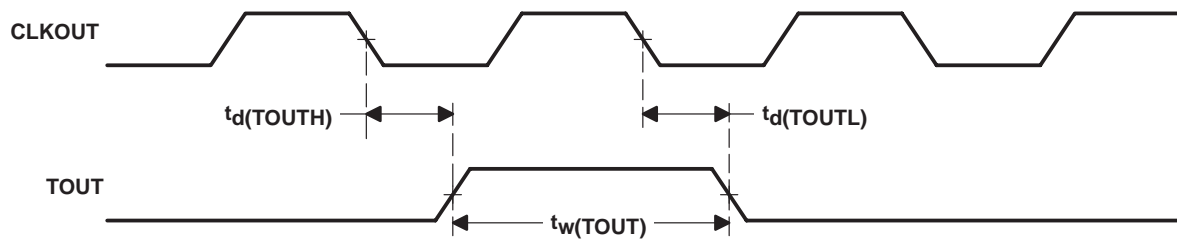


Figure 6–19. TOUT Timing

6.12 Multichannel Buffered Serial Port (McBSP) Timing

6.12.1 McBSP Transmit and Receive Timings

Table 6–17 and Table 6–18 assume testing over recommended operating conditions and $H = 0.5t_{c(CO)}$ (see Figure 6–20 and Figure 6–21).

Table 6–17. McBSP Transmit and Receive Timing Requirements†

			MIN	MAX	UNIT
$t_c(\text{BCKRX})$	Cycle time, BCLKR/X	BCLKR/X ext	4H		ns
$t_w(\text{BCKRX})$	Pulse duration, BCLKR/X high or BCLKR/X low	BCLKR/X ext	2H–1		ns
$t_{su}(\text{BFRH-BCKRL})$	Setup time, external BFSR high before BCLKR low	BCLKR int	20		ns
		BCLKR ext	0		
$t_h(\text{BCKRL-BFRH})$	Hold time, external BFSR high after BCLKR low	BCLKR int	–3		ns
		BCLKR ext	4		
$t_{su}(\text{BDRV-BCKRL})$	Setup time, BDR valid before BCLKR low	BCLKR int	17		ns
		BCLKR ext	0		
$t_h(\text{BCKRL-BDRV})$	Hold time, BDR valid after BCLKR low	BCLKR int	0		ns
		BCLKR ext	8		
$t_{su}(\text{BFXH-BCKXL})$	Setup time, external BFSX high before BCLKX low	BCLKX int	20		ns
		BCLKX ext	0		
$t_h(\text{BCKXL-BFXH})$	Hold time, external BFSX high after BCLKX low	BCLKX int	–4		ns
		BCLKX ext	5		
$t_r(\text{BCKRX})$	Rise time, BCLKR/X	BCLKR/X ext		8	ns
$t_f(\text{BCKRX})$	Fall time, BCLKR/X	BCLKR/X ext		8	ns

† CLKRP = CLKXP = FSRP = FSXP = 0. If the polarity of any of the signals is inverted, then the timing references of that signal are also inverted.

Table 6–18. McBSP Transmit and Receive Switching Characteristics†

PARAMETER			MIN	MAX	UNIT	
$t_c(\text{BCKRX})$	Cycle time, BCLKR/X	BCLKR/X int	4H		ns	
$t_w(\text{BCKRXH})$	Pulse duration, BCLKR/X high	BCLKR/X int	$D - 3\ddagger$	$D + 2\ddagger$	ns	
$t_w(\text{BCKRXL})$	Pulse duration, BCLKR/X low	BCLKR/X int	$C - 3\ddagger$	$C + 2\ddagger$	ns	
$t_d(\text{BCKRH-BFRV})$	Delay time, BCLKR high to internal BFSR valid	BCLKR int	-3	6	ns	
		BCLKR ext	7	13	ns	
$t_d(\text{BCKXH-BFXV})$	Delay time, BCLKX high to internal BFSX valid	BCLKX int	0	6	ns	
		BCLKX ext	5	19		
$t_{\text{dis}}(\text{BCKXH-BDXHZ})$	Disable time, BCLKX high to BDX high impedance following last data bit of transfer	BCLKX int	1	6	ns	
		BCLKX ext	7	13		
$t_d(\text{BCKXH-BDXV})$	Delay time, BCLKX high to BDX valid	DXENA = 0§	BCLKX int	0¶	6	ns
			BCLKX ext	5	19	
$t_d(\text{BFXH-BDXV})$	Delay time, BFSX high to BDX valid ONLY applies when in data delay 0 (XDATDLY = 00b) mode	BFSX int	1¶	2	ns	
		BFSX ext	7	18		

† CLKRP = CLKXP = FSRP = FSXP = 0. If the polarity of any of the signals is inverted, then the timing references of that signal are also inverted.

‡ T = BCLKRX period = $(1 + \text{CLKGDV}) * 2\text{H}$

C = BCLKRX low pulse width = T/2 when CLKGDV is odd or zero and = $(\text{CLKGDV}/2) * 2\text{H}$ when CLKGDV is even

D = BCLKRX high pulse width = T/2 when CLKGDV is odd or zero and = $(\text{CLKGDV}/2 + 1) * 2\text{H}$ when CLKGDV is even

§ The transmit delay enable (DXENA) and A-bis mode (ABIS) features of the McBSP are not implemented on the TMS320UC5405.

¶ Minimum delay times also represent minimum output hold times.

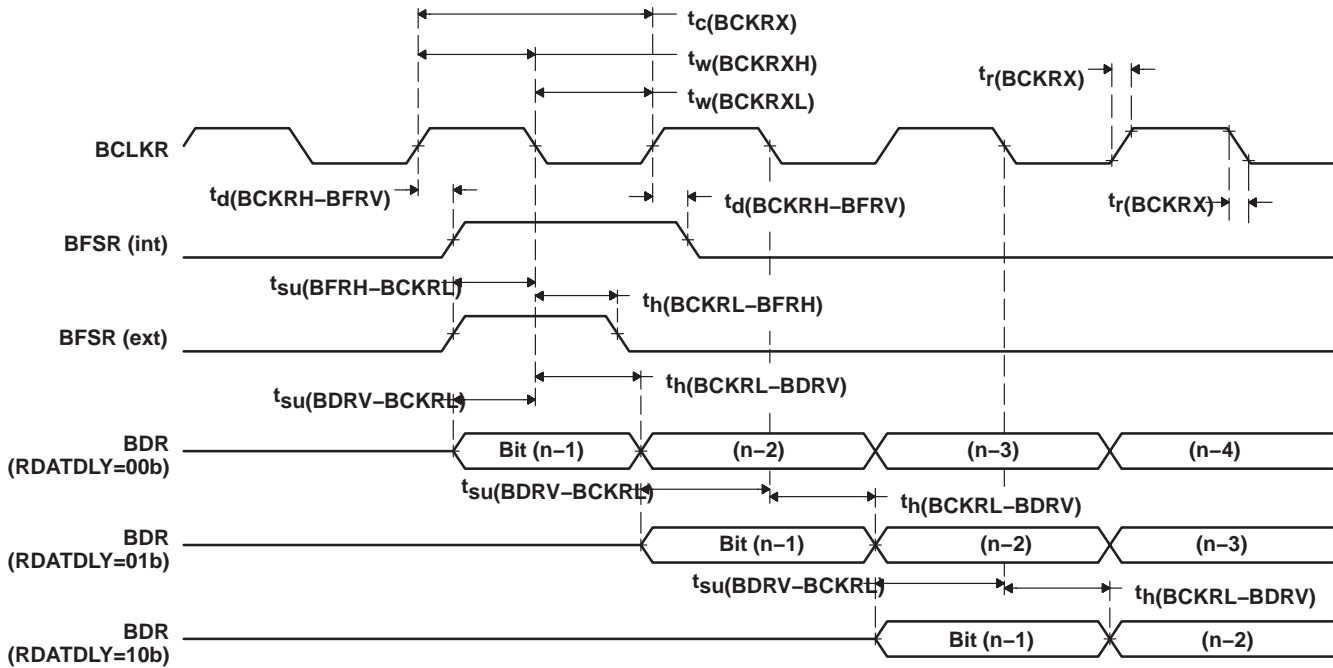


Figure 6–20. McBSP Receive Timings

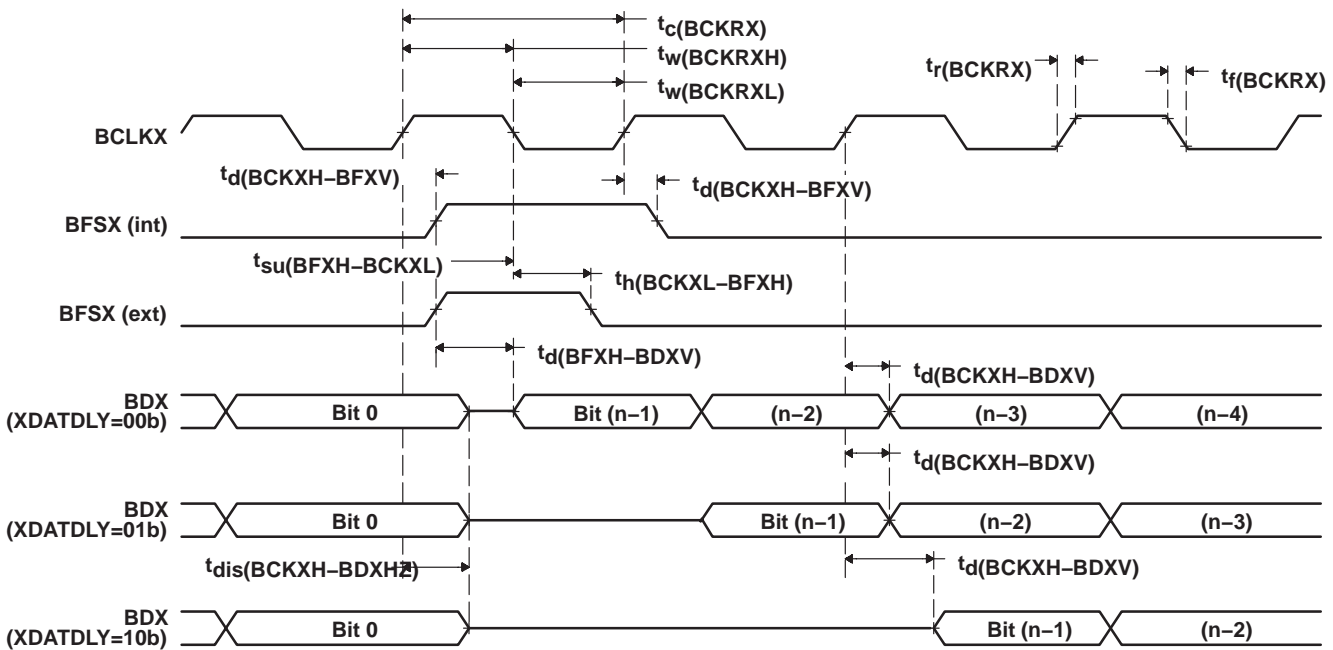


Figure 6–21. McBSP Transmit Timings

6.12.2 McBSP General-Purpose I/O Timing

Table 6–19 and Table 6–20 assume testing over recommended operating conditions (see Figure 6–22).

Table 6–19. McBSP General-Purpose I/O Timing Requirements

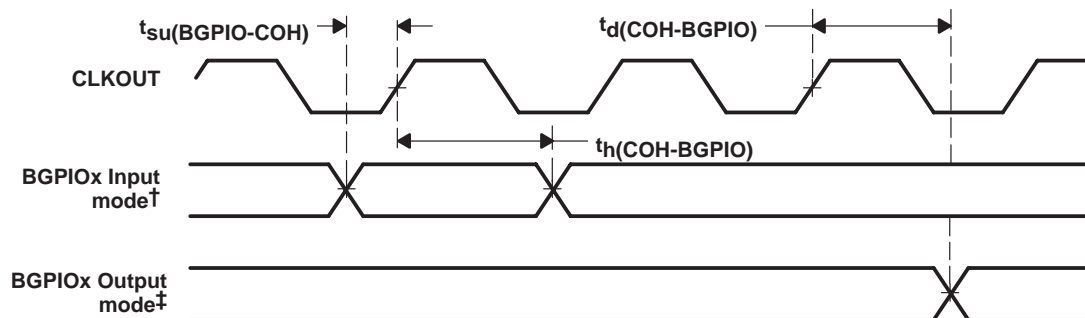
	MIN	MAX	UNIT
$t_{su}(BGPIO-COH)$ Setup time, BGPIOx input mode before CLKOUT high [†]	9		ns
$t_h(COH-BGPIO)$ Hold time, BGPIOx input mode after CLKOUT high [†]	0		ns

[†] BGPIOx refers to BCLKRx, BFSRx, BDRx, BCLKXx, or BFSXx when configured as a general-purpose input.

Table 6–20. McBSP General-Purpose I/O Switching Characteristics

PARAMETER	MIN	MAX	UNIT
$t_d(COH-BGPIO)$ Delay time, CLKOUT high to BGPIOx output mode [‡]	0	5	ns

[‡] BGPIOx refers to BCLKRx, BFSRx, BCLKXx, BFSXx, or BDXX when configured as a general-purpose output.



[†] BGPIOx refers to BCLKRx, BFSRx, BDRx, BCLKXx, or BFSXx when configured as a general-purpose input.

[‡] BGPIOx refers to BCLKRx, BFSRx, BCLKXx, BFSXx, or BDXX when configured as a general-purpose output.

Figure 6–22. McBSP General-Purpose I/O Timings

6.12.3 McBSP as SPI Master or Slave Timing

Table 6–21 to Table 6–28 assume testing over recommended operating conditions and $H = 0.5t_{c(CO)}$ (see Figure 6–23, Figure 6–24, Figure 6–25, and Figure 6–26).

Table 6–21. McBSP as SPI Master or Slave Timing Requirements (CLKSTP = 10b, CLKXP = 0)†

		MASTER		SLAVE		UNIT
		MIN	MAX	MIN	MAX	
$t_{su}(BDRV-BCKXL)$	Setup time, BDR valid before BCLKX low	16		– 12H		ns
$t_h(BCKXL-BDRV)$	Hold time, BDR valid after BCLKX low	4		12H + 5		ns
$t_{su}(BFXL-BCKXH)$	Setup time, BFSX low before BCLKX high			10		ns
$t_c(BCKX)$	Cycle time, BCLKX	12H		32H		ns

† For all SPI slave modes, CLKG is programmed as 1/2 of the CPU clock by setting CLKSM = CLKGDV = 1.

Table 6–22. McBSP as SPI Master or Slave Switching Characteristics (CLKSTP = 10b, CLKXP = 0)†

PARAMETER	MASTER†		SLAVE		UNIT	
	MIN	MAX	MIN	MAX		
$t_h(BCKXL-BFXL)$	Hold time, BFSX low after BCLKX low§	T – 4	T + 5		ns	
$t_d(BFXL-BCKXH)$	Delay time, BFSX low to BCLKX high¶	C – 6	C + 4		ns	
$t_d(BCKXH-BDXV)$	Delay time, BCLKX high to BDX valid	–3	7	6H + 6	10H + 20	ns
$t_{dis}(BCKXL-BDXHZ)$	Disable time, BDX high impedance following last data bit from BCLKX low	C – 2	C + 3			ns
$t_{dis}(BFXH-BDXHZ)$	Disable time, BDX high impedance following last data bit from BFSX high			2H + 8	6H + 21	ns
$t_d(BFXL-BDXV)$	Delay time, BFSX low to BDX valid			4H – 3	8H + 21	ns

† For all SPI slave modes, CLKG is programmed as 1/2 of the CPU clock by setting CLKSM = CLKGDV = 1.

‡ T = BCLKX period = (1 + CLKGDV) * 2H

C = BCLKX low pulse width = T/2 when CLKGDV is odd or zero and = (CLKGDV/2) * 2H when CLKGDV is even

§ FSRP = FSXP = 1. As a SPI master, BFSX is inverted to provide active-low slave-enable output. As a slave, the active-low signal input on BFSX and BFSR is inverted before being used internally.

CLKXM = FSXM = 1, CLKRM = FSRM = 0 for master McBSP

CLKXM = CLKRM = FSXM = FSRM = 0 for slave McBSP

¶ BFSX should be low before the rising edge of clock to enable slave devices and then begin a SPI transfer at the rising edge of the master clock (BCLKX).

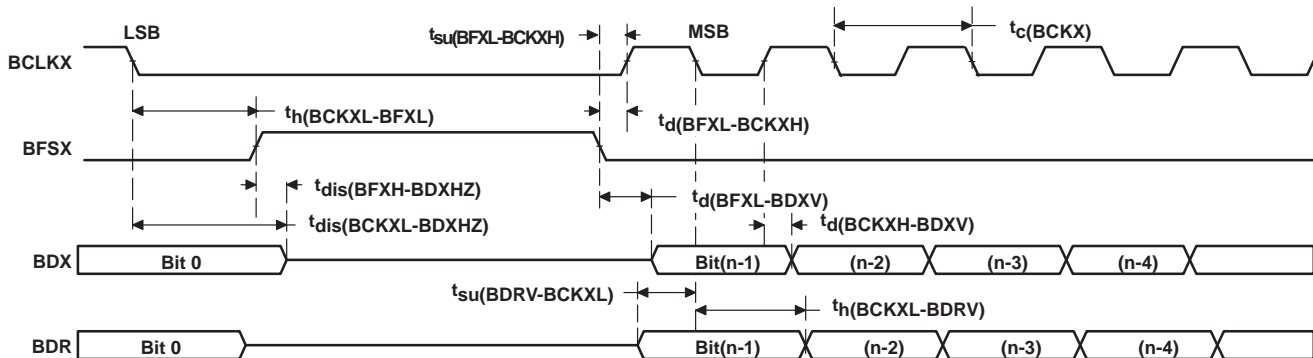


Figure 6–23. McBSP Timing as SPI Master or Slave: CLKSTP = 10b, CLKXP = 0

Table 6–23. McBSP as SPI Master or Slave Timing Requirements (CLKSTP = 11b, CLKXP = 0)†

		MASTER		SLAVE		UNIT
		MIN	MAX	MIN	MAX	
$t_{su}(BDRV-BCKXH)$	Setup time, BDR valid before BCLKX high	16		- 12H		ns
$t_h(BCKXH-BDRV)$	Hold time, BDR valid after BCLKX high	4		12H + 5		ns
$t_{su}(BFXL-BCKXH)$	Setup time, BFSX low before BCLKX high			10		ns
$t_c(BCKX)$	Cycle time, BCLKX	12H		32H		ns

† For all SPI slave modes, CLKG is programmed as 1/2 of the CPU clock by setting CLKSM = CLKGDV = 1.

Table 6–24. McBSP as SPI Master or Slave Switching Characteristics (CLKSTP = 11b, CLKXP = 0)†

PARAMETER		MASTER†		SLAVE		UNIT
		MIN	MAX	MIN	MAX	
$t_h(BCKXL-BFXL)$	Hold time, BFSX low after BCLKX low§	C - 4	C + 5			ns
$t_d(BFXL-BCKXH)$	Delay time, BFSX low to BCLKX high¶	T - 6	T + 4			ns
$t_d(BCKXL-BDXV)$	Delay time, BCLKX low to BDX valid	-3	7	6H + 6	10H + 20	ns
$t_{dis}(BCKXL-BDXHZ)$	Disable time, BDX high impedance following last data bit from BCLKX low	0	6	6H + 7	10H + 21	ns
$t_d(BFXL-BDXV)$	Delay time, BFSX low to BDX valid	D - 2	D + 4	4H - 3	8H + 21	ns

† For all SPI slave modes, CLKG is programmed as 1/2 of the CPU clock by setting CLKSM = CLKGDV = 1.

‡ T = BCLKX period = (1 + CLKGDV) * 2H

C = BCLKX low pulse width = T/2 when CLKGDV is odd or zero and = (CLKGDV/2) * 2H when CLKGDV is even

D = BCLKX high pulse width = T/2 when CLKGDV is odd or zero and = (CLKGDV/2 + 1) * 2H when CLKGDV is even

§ FSRP = FSXP = 1. As a SPI master, BFSX is inverted to provide active-low slave-enable output. As a slave, the active-low signal input on BFSX and BFSR is inverted before being used internally.

CLKXM = FSXM = 1, CLKRM = FSRM = 0 for master McBSP

CLKXM = CLKRM = FSXM = FSRM = 0 for slave McBSP

¶ BFSX should be low before the rising edge of clock to enable slave devices and then begin a SPI transfer at the rising edge of the master clock (BCLKX).

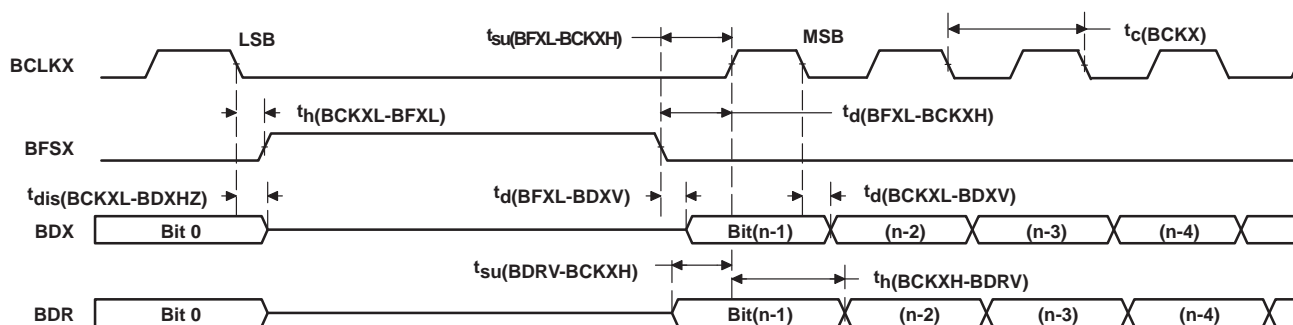
**Figure 6–24. McBSP Timing as SPI Master or Slave: CLKSTP = 11b, CLKXP = 0**

Table 6–25. McBSP as SPI Master or Slave Timing Requirements (CLKSTP = 10b, CLKXP = 1)†

	MASTER		SLAVE		UNIT
	MIN	MAX	MIN	MAX	
$t_{su}(BDRV-BCKXH)$ Setup time, BDR valid before BCLKX high	16		- 12H		ns
$t_h(BCKXH-BDRV)$ Hold time, BDR valid after BCLKX high	4		12H + 5		ns
$t_{su}(BFXL-BCKXL)$ Setup time, BFSX low before BCLKX low			10		ns
$t_c(BCKX)$ Cycle time, BCLKX	12H		32H		ns

† For all SPI slave modes, CLKG is programmed as 1/2 of the CPU clock by setting CLKSM = CLKGDV = 1.

Table 6–26. McBSP as SPI Master or Slave Switching Characteristics (CLKSTP = 10b, CLKXP = 1)†

PARAMETER	MASTER‡		SLAVE		UNIT
	MIN	MAX	MIN	MAX	
$t_h(BCKXH-BFXL)$ Hold time, BFSX low after BCLKX high§	T - 4	T + 5			ns
$t_d(BFXL-BCKXL)$ Delay time, BFSX low to BCLKX low¶	D - 6	D + 4			ns
$t_d(BCKXL-BDXV)$ Delay time, BCLKX low to BDX valid	- 3	7	6H + 6	10H + 20	ns
$t_{dis}(BCKXH-BDXHZ)$ Disable time, BDX high impedance following last data bit from BCLKX high	D - 2	D + 3			ns
$t_{dis}(BFXH-BDXHZ)$ Disable time, BDX high impedance following last data bit from BFSX high			2H + 7	6H + 21	ns
$t_d(BFXL-BDXV)$ Delay time, BFSX low to BDX valid			4H - 3	8H + 21	ns

† For all SPI slave modes, CLKG is programmed as 1/2 of the CPU clock by setting CLKSM = CLKGDV = 1.

‡ T = BCLKX period = (1 + CLKGDV) * 2H

D = BCLKX high pulse width = T/2 when CLKGDV is odd or zero and = (CLKGDV/2 + 1) * 2H when CLKGDV is even

§ FSRP = FSXP = 1. As a SPI master, BFSX is inverted to provide active-low slave-enable output. As a slave, the active-low signal input on BFSX and BFSR is inverted before being used internally.

CLKXM = FSXM = 1, CLKRM = FSRM = 0 for master McBSP

CLKXM = CLKRM = FSXM = FSRM = 0 for slave McBSP

¶ BFSX should be low before the rising edge of clock to enable slave devices and then begin a SPI transfer at the rising edge of the master clock (BCLKX).

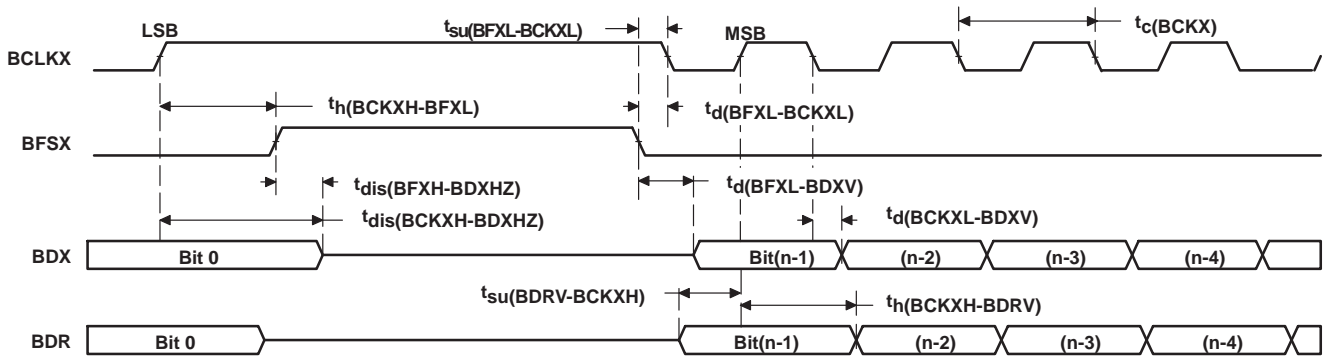


Figure 6–25. McBSP Timing as SPI Master or Slave: CLKSTP = 10b, CLKXP = 1

Table 6–27. McBSP as SPI Master or Slave Timing Requirements (CLKSTP = 11b, CLKXP = 1)†

		MASTER		SLAVE		UNIT
		MIN	MAX	MIN	MAX	
$t_{su}(BDRV-BCKXL)$	Setup time, BDR valid before BCLKX low	16		- 12H		ns
$t_h(BCKXL-BDRV)$	Hold time, BDR valid after BCLKX low	4		12H + 5		ns
$t_{su}(BFXL-BCKXL)$	Setup time, BFSX low before BCLKX low			10		ns
$t_c(BCKX)$	Cycle time, BCLKX	12H		32H		ns

† For all SPI slave modes, CLKG is programmed as 1/2 of the CPU clock by setting CLKSM = CLKGDV = 1.

Table 6–28. McBSP as SPI Master or Slave Switching Characteristics (CLKSTP = 11b, CLKXP = 1)†

PARAMETER	MASTER†		SLAVE		UNIT	
	MIN	MAX	MIN	MAX		
$t_h(BCKXH-BFXL)$	Hold time, BFSX low after BCLKX high§	D - 4	D + 5		ns	
$t_d(BFXL-BCKXL)$	Delay time, BFSX low to BCLKX low¶	T - 6	T + 4		ns	
$t_d(BCKXH-BDXV)$	Delay time, BCLKX high to BDX valid	- 3	7	6H + 6	10H + 20	ns
$t_{dis}(BCKXH-BDXHZ)$	Disable time, BDX high impedance following last data bit from BCLKX high	0	6	6H + 7	10H + 21	ns
$t_d(BFXL-BDXV)$	Delay time, BFSX low to BDX valid	C - 2	C + 4	4H - 3	8H + 21	ns

† For all SPI slave modes, CLKG is programmed as 1/2 of the CPU clock by setting CLKSM = CLKGDV = 1.

‡ T = BCLKX period = (1 + CLKGDV) * 2H

C = BCLKX low pulse width = T/2 when CLKGDV is odd or zero and = (CLKGDV/2) * 2H when CLKGDV is even

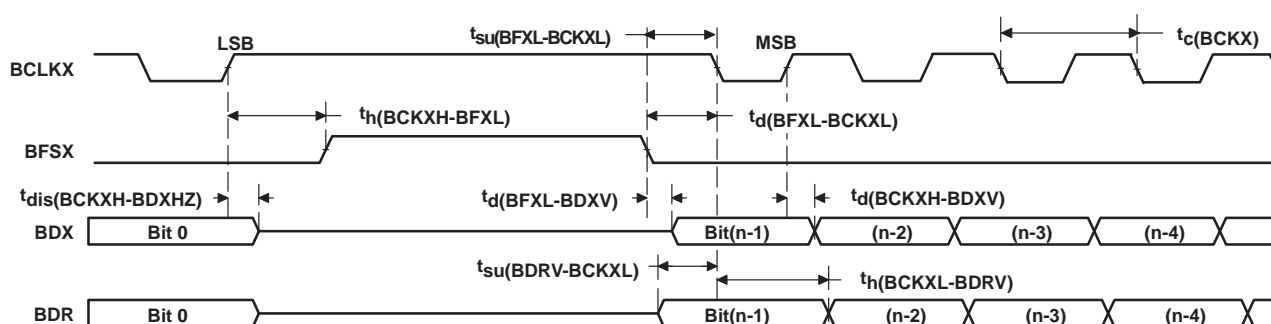
D = BCLKX high pulse width = T/2 when CLKGDV is odd or zero and = (CLKGDV/2 + 1) * 2H when CLKGDV is even

§ FSRP = FSXP = 1. As a SPI master, BFSX is inverted to provide active-low slave-enable output. As a slave, the active-low signal input on BFSX and BFSR is inverted before being used internally.

CLKXM = FSXM = 1, CLKRM = FSRM = 0 for master McBSP

CLKXM = CLKRM = FSXM = FSRM = 0 for slave McBSP

¶ BFSX should be low before the rising edge of clock to enable slave devices and then begin a SPI transfer at the rising edge of the master clock (BCLKX).

**Figure 6–26. McBSP Timing as SPI Master or Slave: CLKSTP = 11b, CLKXP = 1**

6.13 Host-Port Interface Timing (HPI8)

Table 6–29 and Table 6–30 assume testing over recommended operating conditions and $H = 0.5t_{c(CO)}$ (see Figure 6–27 through Figure 6–30). In the following tables, DS refers to the logical OR of \overline{HCS} , $\overline{HDS1}$, and $\overline{HDS2}$. HD refers to any of the HPI data bus pins (HD0, HD1, HD2, etc.). HAD stands for HCNTL0, HCNTL1, and $\overline{HR}/\overline{W}$. GPIO refers to the HD pins when they are configured as general-purpose input/outputs.

NOTE: During all cycles, DS should not be driven high to complete the cycle until HRDY is high. In the case of a read cycle, HDx should also be valid before rising DS.

Table 6–29. HPI8 Mode Timing Requirements

		MIN	MAX	UNIT
$t_{su}(HBV-DSL)$	Setup time, HBIL valid before DS low	5		ns
$t_h(DSL-HBV)$	Hold time, HBIL valid after DS low	6		ns
$t_{su}(HSL-DSL)$	Setup time, $\overline{H\overline{AS}}$ low before DS low	5		ns
$t_w(DSL)$	Pulse duration, DS low	20		ns
$t_w(DSH)$	Pulse duration, DS high	10		ns
$t_{su}(HDV-DSH)$	Setup time, HDx valid before DS high, HPI write	12		ns
$t_h(DSH-HDV)W$	Hold time, HDx valid after DS high, HPI write	8		ns
$t_{su}(GPIO-COH)$	Setup time, HDx input valid before CLKOUT high, HDx configured as general-purpose input	9		ns
$t_h(GPIO-COH)$	Hold time, HDx input valid after CLKOUT high, HDx configured as general-purpose input	–3		ns

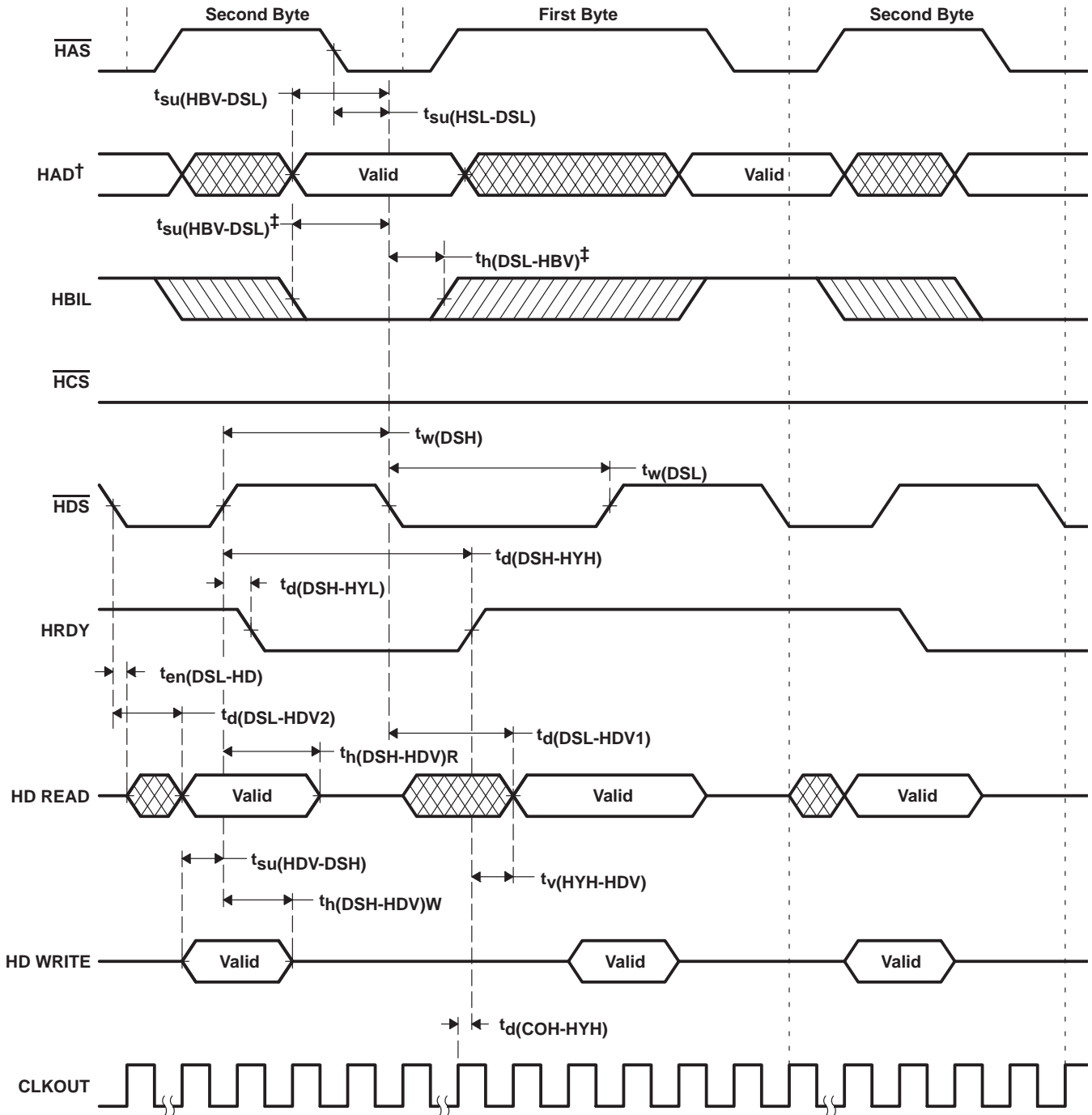
Table 6–30. HPI8 Mode Switching Characteristics

PARAMETER		MIN	MAX	UNIT
$t_{en}(DSL-HD)$	Enable time, HD driven from DS low	5	21	ns
$t_d(DSL-HDV1)$	Delay time, DS low to HDx valid for first byte of an HPI read	Case 1a: Memory accesses when DMAC is active in 16-bit mode and $t_w(DSH) < 18H^\dagger$	$18H + 21 - t_w(DSH)$	ns
		Case 1b: Memory accesses when DMAC is active in 16-bit mode and $t_w(DSH) \geq 18H^\dagger$	21	
		Case 1c: Memory access when DMAC is active in 32-bit mode and $t_w(DSH) < 26H^\dagger$	$26H + 21 - t_w(DSH)$	
		Case 1d: Memory access when DMAC is active in 32-bit mode and $t_w(DSH) \geq 26H^\dagger$	21	
		Case 2a: Memory accesses when DMAC is inactive and $t_w(DSH) < 10H^\dagger$	$10H + 21 - t_w(DSH)$	
		Case 2b: Memory accesses when DMAC is inactive and $t_w(DSH) \geq 10H^\dagger$	21	
		Case 3: Register accesses	21	
$t_d(DSL-HDV2)$	Delay time, DS low to HDx valid for second byte of an HPI read		21	ns
$t_h(DSH-HDV)R$	Hold time, HDx valid after DS high, for a HPI read	5	9	ns
$t_v(HYH-HDV)$	Valid time, HDx valid after HRDY high		12	ns
$t_d(DSH-HYL)$	Delay time, DS high to HRDY low (see Note 1)		21	ns
$t_d(DSH-HYH)$	Delay time, DS high to HRDY high	Case 1a: Memory accesses when DMAC is active in 16-bit mode [†]	$18H + 21$	ns
		Case 1b: Memory accesses when DMAC is active in 32-bit mode [†]	$26H + 21$	ns
		Case 2: Memory accesses when DMAC is inactive [†]	$10H + 21$	ns
		Case 3: Write accesses to HPIC register (see Note 2)	$6H + 21$	
$t_d(HCS-HRDY)$	Delay time, \overline{HCS} low/high to HRDY low/high		19	ns
$t_d(COH-HYH)$	Delay time, CLKOUT high to HRDY high		5	ns
$t_d(COH-HTX)$	Delay time, CLKOUT high to HINT change		5	ns
$t_d(COH-GPIO)$	Delay time, CLKOUT high to HDx output change. HDx is configured as a general-purpose output.		9	ns

NOTES: 1. The HRDY output is always high when the \overline{HCS} input is high, regardless of DS timings.

2. This timing applies to the first byte of an access, when writing a one to the DSPINT bit or HINT bit of the HPIC register. All other writes to the HPIC occur asynchronously, and do not cause HRDY to be deasserted.

[†] DMAC stands for direct memory access (DMA) controller. The HPI8 shares the internal DMA bus with the DMAC, thus HPI8 access times are affected by DMAC activity.



† HAD refers to HCNTL0, HCNTL1, and HR \overline{W} .

‡ When HAS is not used (HAS always high)

Figure 6-27. Using HDS to Control Accesses (HCS Always Low)

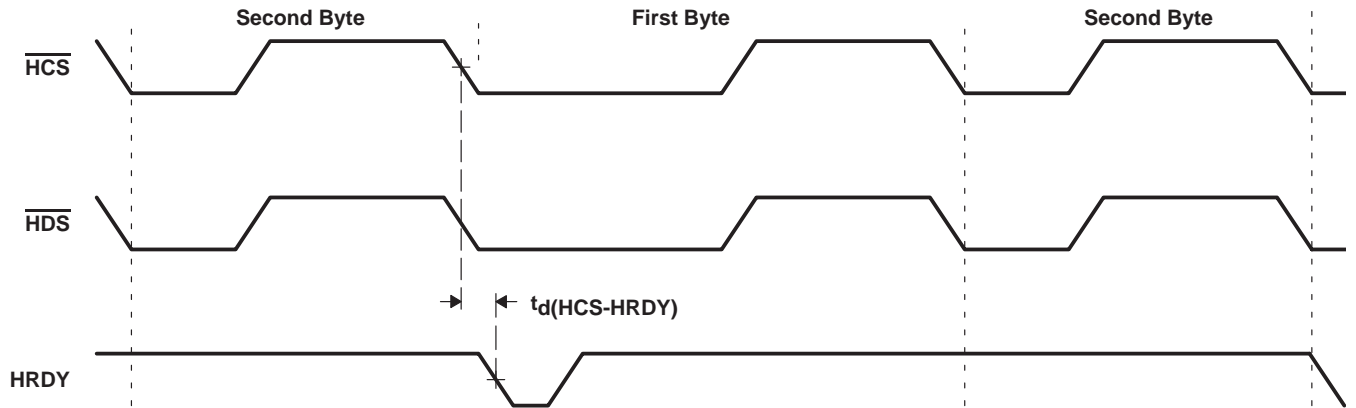


Figure 6-28. Using $\overline{\text{HCS}}$ to Control Accesses

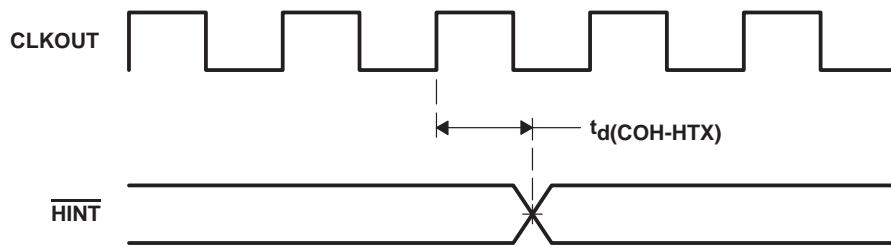
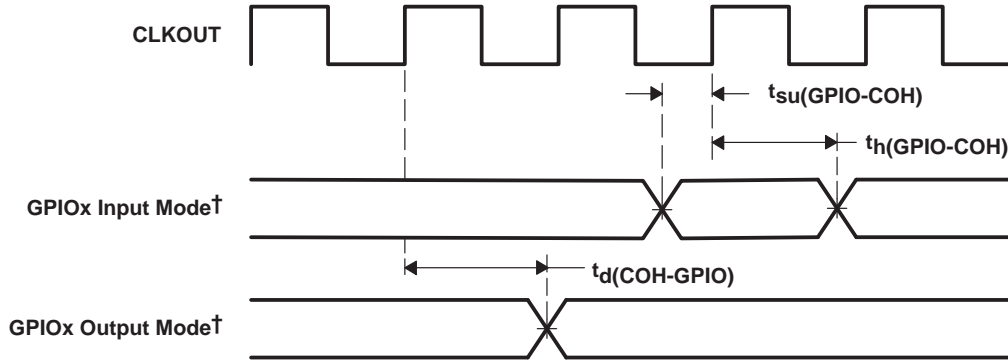


Figure 6-29. $\overline{\text{HINT}}$ Timing



† GPIOx refers to HD0, HD1, HD2, ...HD7, when the HD bus is configured for general-purpose input/output (I/O).

Figure 6-30. GPIOx[†] Timings

7 Mechanical Data

7.1 Package Thermal Resistance Characteristics

Table 7–1 and Table 7–2 show the thermal resistance characteristics for the GQW (PBGA) and ZQW (PBGA) mechanical packages.

Table 7–1. Thermal Resistance Characteristics for GQW

PARAMETER	GQW PACKAGE	UNIT
$R_{\theta JA}$	36.24†	°C/W
$R_{\theta JC}$	17.93	°C/W

† Based on a JEDEC 2s2p-style (high-k) board with 0 linear feet per minute (lfm) airflow.

Table 7–2. Thermal Resistance Characteristics for ZQW

PARAMETER	ZQW PACKAGE	UNIT
$R_{\theta JA}$	36.24†	°C/W
$R_{\theta JC}$	17.93	°C/W

† Based on a JEDEC 2s2p-style (high-k) board with 0 linear feet per minute (lfm) airflow.

7.2 Packaging Information

The following packaging information reflects the most current released data available for the designated device(s). This data is subject to change without notice and without revision of this document.

PACKAGING INFORMATION

Orderable Device	Status ⁽¹⁾	Package Type	Package Drawing	Pins	Package Qty	Eco Plan ⁽²⁾	Lead/Ball Finish	MSL Peak Temp ⁽³⁾
TMS320UC5405GQW	OBSOLETE	BGA MI CROSTA R JUNI OR	GQW	143		TBD	SNPB	Level-3-220C-168 HR

⁽¹⁾ The marketing status values are defined as follows:

ACTIVE: Product device recommended for new designs.

LIFEBUY: TI has announced that the device will be discontinued, and a lifetime-buy period is in effect.

NRND: Not recommended for new designs. Device is in production to support existing customers, but TI does not recommend using this part in a new design.

PREVIEW: Device has been announced but is not in production. Samples may or may not be available.

OBSOLETE: TI has discontinued the production of the device.

⁽²⁾ Eco Plan - The planned eco-friendly classification: Pb-Free (RoHS), Pb-Free (RoHS Exempt), or Green (RoHS & no Sb/Br) - please check <http://www.ti.com/productcontent> for the latest availability information and additional product content details.

TBD: The Pb-Free/Green conversion plan has not been defined.

Pb-Free (RoHS): TI's terms "Lead-Free" or "Pb-Free" mean semiconductor products that are compatible with the current RoHS requirements for all 6 substances, including the requirement that lead not exceed 0.1% by weight in homogeneous materials. Where designed to be soldered at high temperatures, TI Pb-Free products are suitable for use in specified lead-free processes.

Pb-Free (RoHS Exempt): This component has a RoHS exemption for either 1) lead-based flip-chip solder bumps used between the die and package, or 2) lead-based die adhesive used between the die and leadframe. The component is otherwise considered Pb-Free (RoHS compatible) as defined above.

Green (RoHS & no Sb/Br): TI defines "Green" to mean Pb-Free (RoHS compatible), and free of Bromine (Br) and Antimony (Sb) based flame retardants (Br or Sb do not exceed 0.1% by weight in homogeneous material)

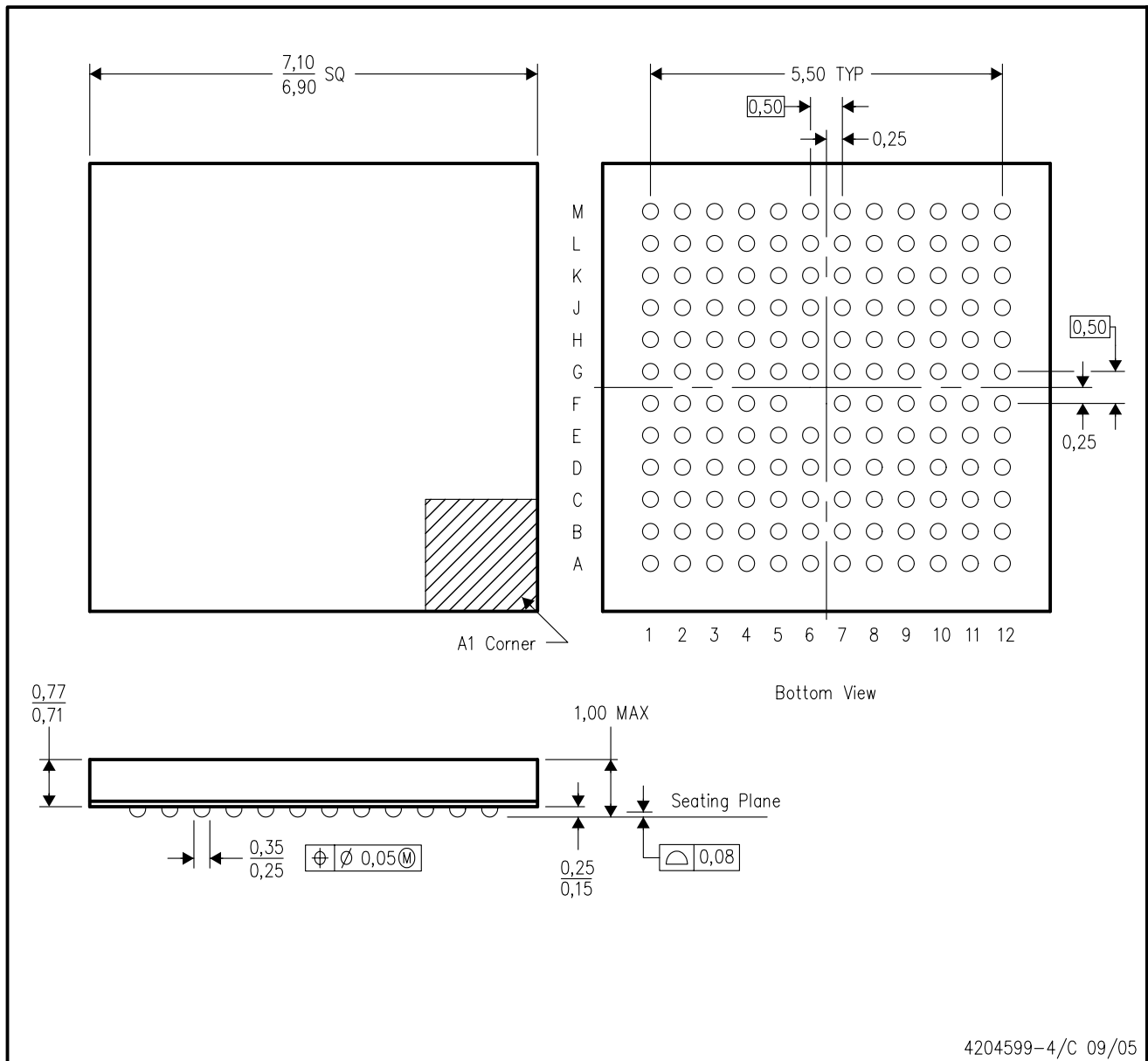
⁽³⁾ MSL, Peak Temp. -- The Moisture Sensitivity Level rating according to the JEDEC industry standard classifications, and peak solder temperature.

Important Information and Disclaimer:The information provided on this page represents TI's knowledge and belief as of the date that it is provided. TI bases its knowledge and belief on information provided by third parties, and makes no representation or warranty as to the accuracy of such information. Efforts are underway to better integrate information from third parties. TI has taken and continues to take reasonable steps to provide representative and accurate information but may not have conducted destructive testing or chemical analysis on incoming materials and chemicals. TI and TI suppliers consider certain information to be proprietary, and thus CAS numbers and other limited information may not be available for release.

In no event shall TI's liability arising out of such information exceed the total purchase price of the TI part(s) at issue in this document sold by TI to Customer on an annual basis.

ZQW (S-PBGA-N143)

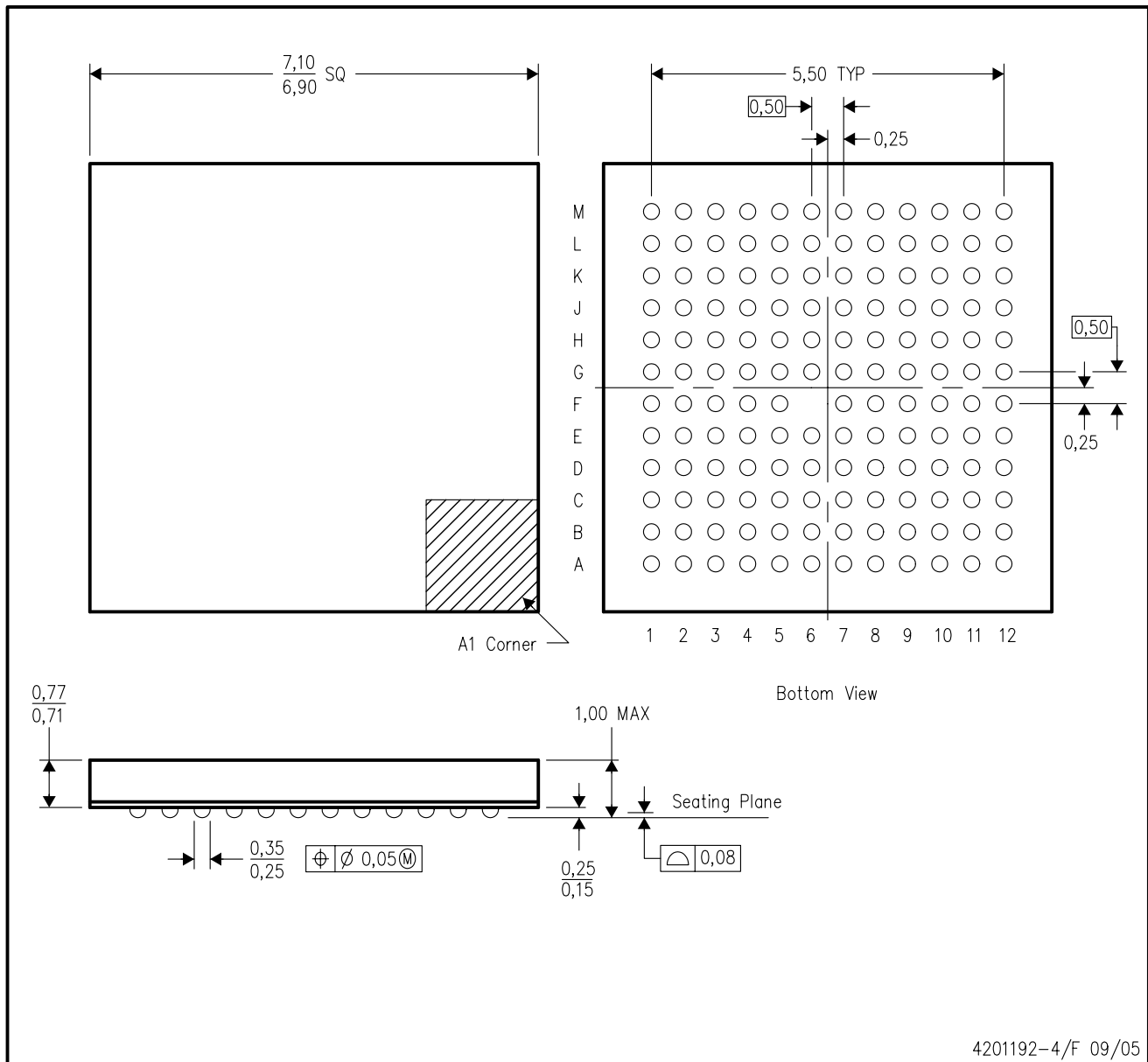
PLASTIC BALL GRID ARRAY



- NOTES:
- A. All linear dimensions are in millimeters.
 - B. This drawing is subject to change without notice.
 - C. Falls within JEDEC MO-225
 - D. This is a lead-free solder ball design.

GQW (S-PBGA-N143)

PLASTIC BALL GRID ARRAY



- NOTES:
- A. All linear dimensions are in millimeters.
 - B. This drawing is subject to change without notice.
 - C. Falls within JEDEC MO-225

IMPORTANT NOTICE

Texas Instruments Incorporated and its subsidiaries (TI) reserve the right to make corrections, modifications, enhancements, improvements, and other changes to its products and services at any time and to discontinue any product or service without notice. Customers should obtain the latest relevant information before placing orders and should verify that such information is current and complete. All products are sold subject to TI's terms and conditions of sale supplied at the time of order acknowledgment.

TI warrants performance of its hardware products to the specifications applicable at the time of sale in accordance with TI's standard warranty. Testing and other quality control techniques are used to the extent TI deems necessary to support this warranty. Except where mandated by government requirements, testing of all parameters of each product is not necessarily performed.

TI assumes no liability for applications assistance or customer product design. Customers are responsible for their products and applications using TI components. To minimize the risks associated with customer products and applications, customers should provide adequate design and operating safeguards.

TI does not warrant or represent that any license, either express or implied, is granted under any TI patent right, copyright, mask work right, or other TI intellectual property right relating to any combination, machine, or process in which TI products or services are used. Information published by TI regarding third-party products or services does not constitute a license from TI to use such products or services or a warranty or endorsement thereof. Use of such information may require a license from a third party under the patents or other intellectual property of the third party, or a license from TI under the patents or other intellectual property of TI.

Reproduction of TI information in TI data books or data sheets is permissible only if reproduction is without alteration and is accompanied by all associated warranties, conditions, limitations, and notices. Reproduction of this information with alteration is an unfair and deceptive business practice. TI is not responsible or liable for such altered documentation. Information of third parties may be subject to additional restrictions.

Resale of TI products or services with statements different from or beyond the parameters stated by TI for that product or service voids all express and any implied warranties for the associated TI product or service and is an unfair and deceptive business practice. TI is not responsible or liable for any such statements.

TI products are not authorized for use in safety-critical applications (such as life support) where a failure of the TI product would reasonably be expected to cause severe personal injury or death, unless officers of the parties have executed an agreement specifically governing such use. Buyers represent that they have all necessary expertise in the safety and regulatory ramifications of their applications, and acknowledge and agree that they are solely responsible for all legal, regulatory and safety-related requirements concerning their products and any use of TI products in such safety-critical applications, notwithstanding any applications-related information or support that may be provided by TI. Further, Buyers must fully indemnify TI and its representatives against any damages arising out of the use of TI products in such safety-critical applications.

TI products are neither designed nor intended for use in military/aerospace applications or environments unless the TI products are specifically designated by TI as military-grade or "enhanced plastic." Only products designated by TI as military-grade meet military specifications. Buyers acknowledge and agree that any such use of TI products which TI has not designated as military-grade is solely at the Buyer's risk, and that they are solely responsible for compliance with all legal and regulatory requirements in connection with such use.

TI products are neither designed nor intended for use in automotive applications or environments unless the specific TI products are designated by TI as compliant with ISO/TS 16949 requirements. Buyers acknowledge and agree that, if they use any non-designated products in automotive applications, TI will not be responsible for any failure to meet such requirements.

Following are URLs where you can obtain information on other Texas Instruments products and application solutions:

Products

Amplifiers	amplifier.ti.com
Data Converters	dataconverter.ti.com
DSP	dsp.ti.com
Clocks and Timers	www.ti.com/clocks
Interface	interface.ti.com
Logic	logic.ti.com
Power Mgmt	power.ti.com
Microcontrollers	microcontroller.ti.com
RFID	www.ti-rfid.com
RF/IF and ZigBee® Solutions	www.ti.com/lprf

Applications

Audio	www.ti.com/audio
Automotive	www.ti.com/automotive
Broadband	www.ti.com/broadband
Digital Control	www.ti.com/digitalcontrol
Medical	www.ti.com/medical
Military	www.ti.com/military
Optical Networking	www.ti.com/opticalnetwork
Security	www.ti.com/security
Telephony	www.ti.com/telephony
Video & Imaging	www.ti.com/video
Wireless	www.ti.com/wireless

Mailing Address: Texas Instruments, Post Office Box 655303, Dallas, Texas 75265
Copyright © 2008, Texas Instruments Incorporated